

Prefix: EL2



The Eco Series Linear LED is a linear pendant mounted fixture that brings an innovative design to a 2" form factor with an integral driver. The Eco Line series provides an attractive, energy efficient architectural look which provides a comfortable, low glare, uniform lighting. Typical applications for this type of product are interior spaces where finished ceilings and walls exist. CCT and Lumen selectable. Applications Include:

- Commercial/Corporate Office Spaces
- Retail Spaces, Public Spaces and Airports
- Schools, Colleges and Universities
- Hospitals, Government Facilities and Military Bases



project:

fixture type:

catalog #:

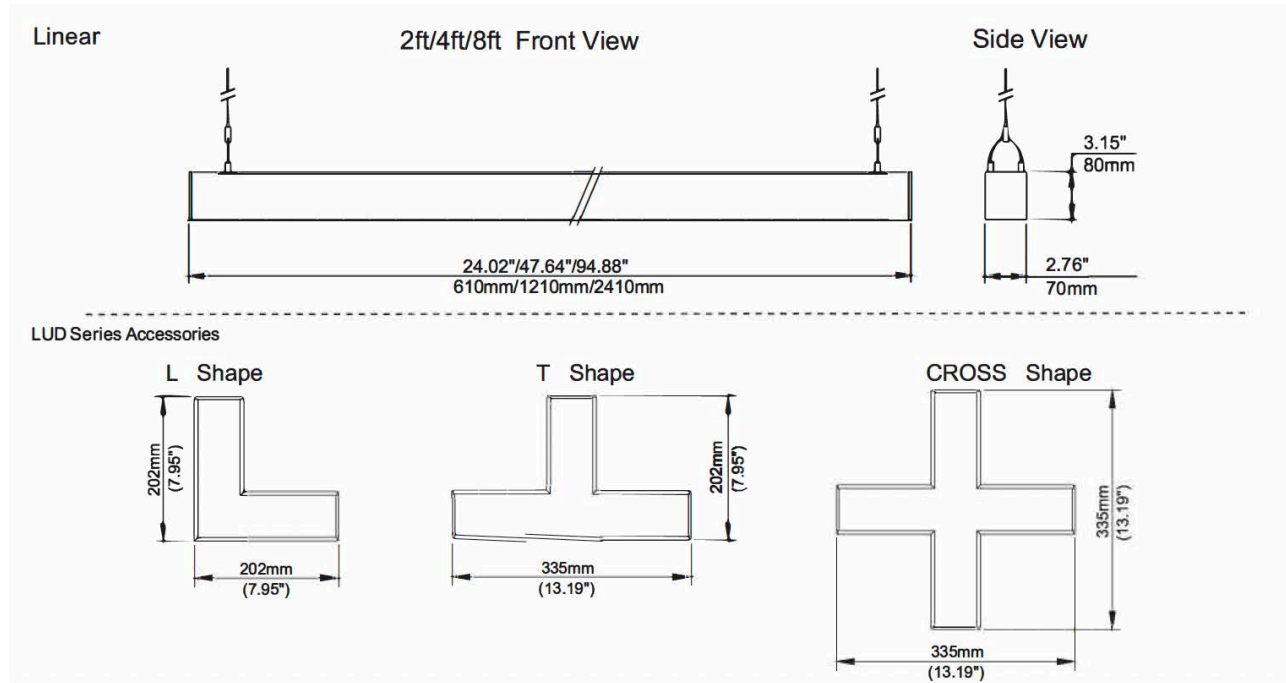
quantity:

ORDERING GUIDE

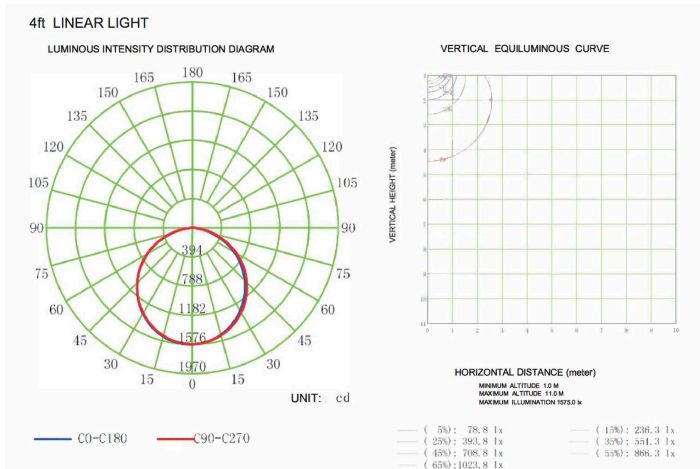
PREFIX/SERIES	SIZE	Color	CRI	LUMEN SELECTABLE	DRIVER VOLTAGE	COLOR TEMP. SELECTABLE	DRIVER	Options
EL2-P Eco Line Series 3" Pendant Mount	2FT - 2' 4FT - 4' 8FT - 8'	MWH - White MBK - Black	S80 - 80 Cri	L55 2ft 32500lms (25w) 4ft 6500lms (50w) 8ft 13000lms (100w) * 50% uplight 50% downlight	UNV - Universal Voltage (120v - 277v) (60 Hz)	Blank - 3000K 4000K 5000K	DM - 0-10V 10% Dim	L-Shape -1560lms 12W) T-Shape - (1560lms 12W) + Shape - (1950lms (15W)

EL3P Fixture Dimensions

Prefix: EL2



Photometric Data



CONSTRUCTION

- Aluminum body for efficient heat dissipation.
- Innovative contractor-friendly packaging
- Diffusers are extruded from impact modified acrylic for increased durability.
- Multiple type combination connection.
- High efficiency: 130lm/w, DLC Premium.

DRIVERS

- Electronic Driver, 120-277V, 50/60Hz or PF>0.90. 0-10V Dimming Standard for a Dimming Range of 100% to 10%;

WARRANTY

- 5-year limited warranty.
- Please refer to RENOVA's website at www.renova.com/sales/warranties for the latest warranty terms and conditions.

ELECTRICAL

- Universal 120-277VAC input voltage.
- Wattage adjustable: 100%, 80%, 60%.
- 0-10V dimming standard for a dimming range of 100% to 10%.
- Operating Temperature Range: -20°C to 45°C
- Note: Operating with emergency battery temperature range: 5°C to 45°C (+41°F - +113°F).

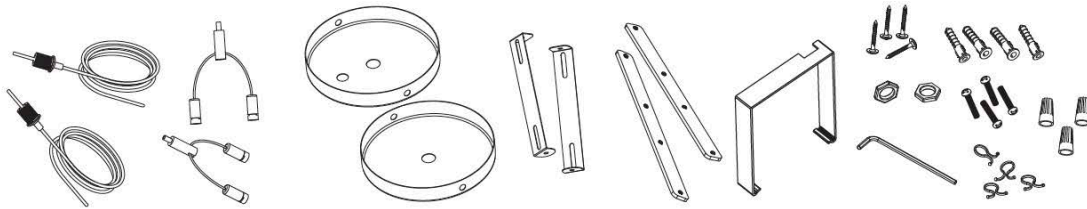
NOTES:

LED Dimming Drivers have adjustable output capability. A wide range of input watts/lumen output can be adjusted up or down on all models to suit a particular application. Always consult factory for the latest information.

Photometric data, IES files and all other information is available on request.

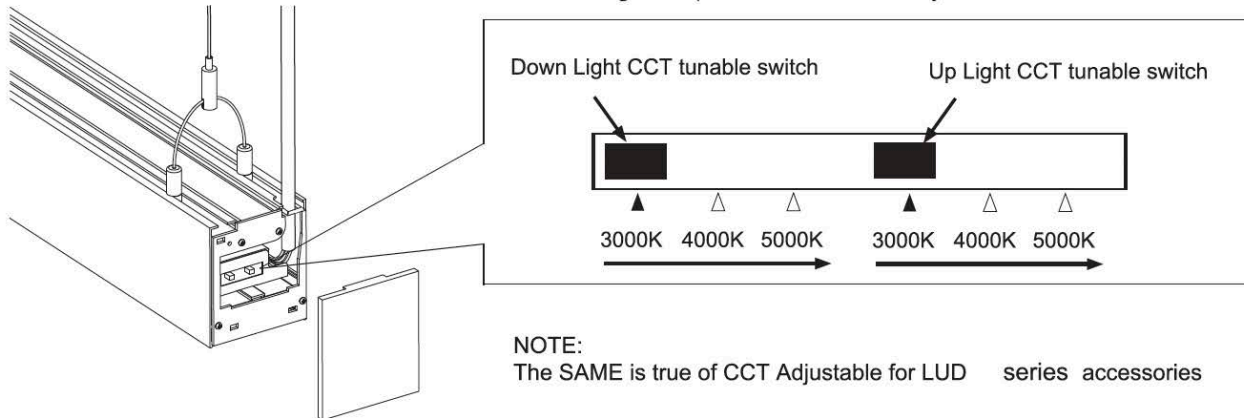
RENOVA products are constantly being improved; therefore the information shown is subject to change without notice. Always consult your lighting representative or RENOVA Lighting Systems, Inc. for the latest information.

ACCESSORIES BAG



CCT SELECT

Open the end cap the side With AC wire as the picture shows.
Moving the Dip to choose the CCT or you want as the label shows.



NOTES:

LED Dimming Drivers have adjustable output capability. A wide range of input watts/lumen output can be adjusted up or down on all models to suit a particular application. Always consult factory for the latest information.

Photometric data, IES files and all other information is available on request.

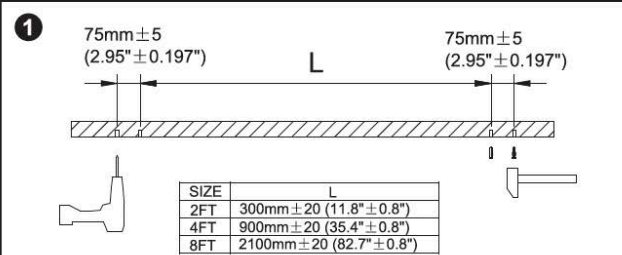
RENOVA products are constantly being improved; therefore the information shown is subject to change without notice. Always consult your lighting representative or RENOVA Lighting Systems, Inc. for the latest information.

Installation Instructions

Choose the following three installation methods as needed

A Suspension installation

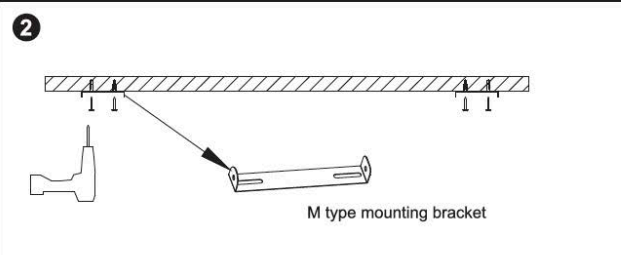
1



SIZE	L
2FT	300mm ± 20 (11.8" ± 0.8")
4FT	900mm ± 20 (35.4" ± 0.8")
8FT	2100mm ± 20 (82.7" ± 0.8")

Drill a hole of 5.0mm in diameter as shown in the figure at the location required for installation. Then hammer the plastic anchor into the hole

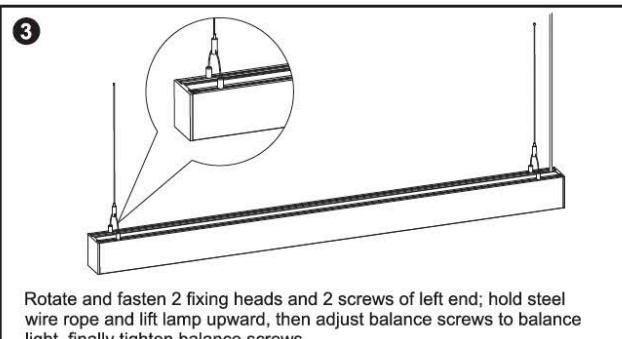
2



M type mounting bracket

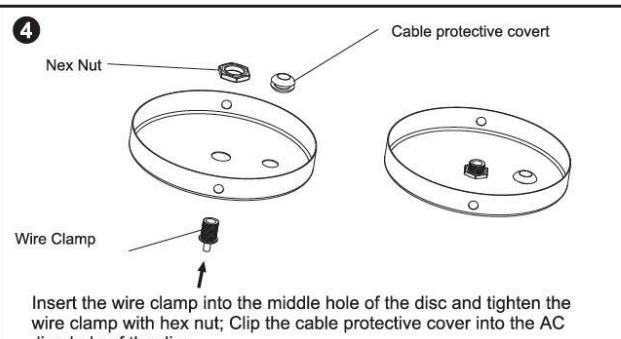
Insert PA4X35 screws into the M type mounting bracket and then drill into the plastic anchor.

3



Rotate and fasten 2 fixing heads and 2 screws of left end; hold steel wire rope and lift lamp upward, then adjust balance screws to balance light, finally tighten balance screws.

4



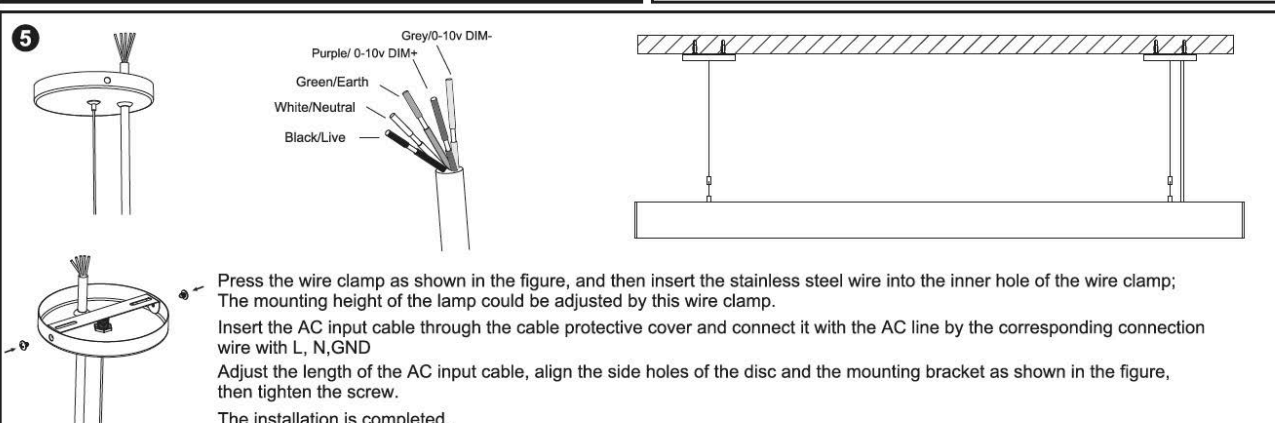
Wire Clamp

Nex Nut

Cable protective covert

Insert the wire clamp into the middle hole of the disc and tighten the wire clamp with hex nut; Clip the cable protective cover into the AC line hole of the disc.

5



Press the wire clamp as shown in the figure, and then insert the stainless steel wire into the inner hole of the wire clamp; The mounting height of the lamp could be adjusted by this wire clamp.

Insert the AC input cable through the cable protective cover and connect it with the AC line by the corresponding connection wire with L, N, GND

Adjust the length of the AC input cable, align the side holes of the disc and the mounting bracket as shown in the figure, then tighten the screw.

The installation is completed.

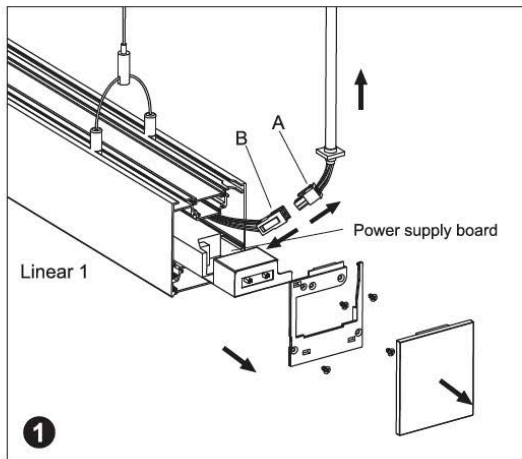
NOTES:

LED Dimming Drivers have adjustable output capability. A wide range of input watts/lumen output can be adjusted up or down on all models to suit a particular application. Always consult factory for the latest information.

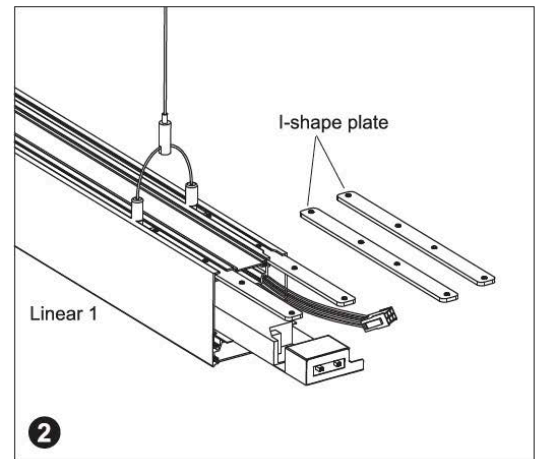
Photometric data, IES files and all other information is available on request.

Installation Instructions

Please find the connector in the accessories bag.

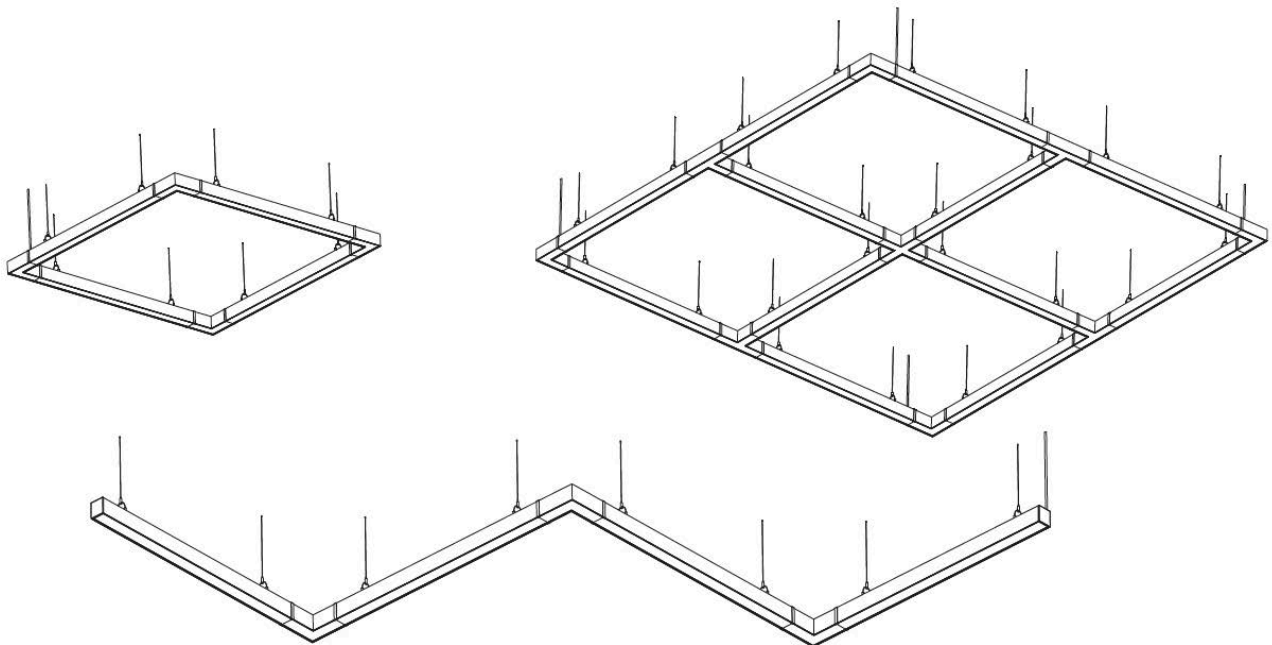


Install the Linear 1 to the ceiling as instruction of Suspension Installation.
Open the end cap as the picture shows.
Pull out ½ Power supply board of Linear1, and move out the AC wires.
Disconnect the A and B parts.



Insert the I-shape plate to the track as the picture shows.

Examples of Portfolio Shapes

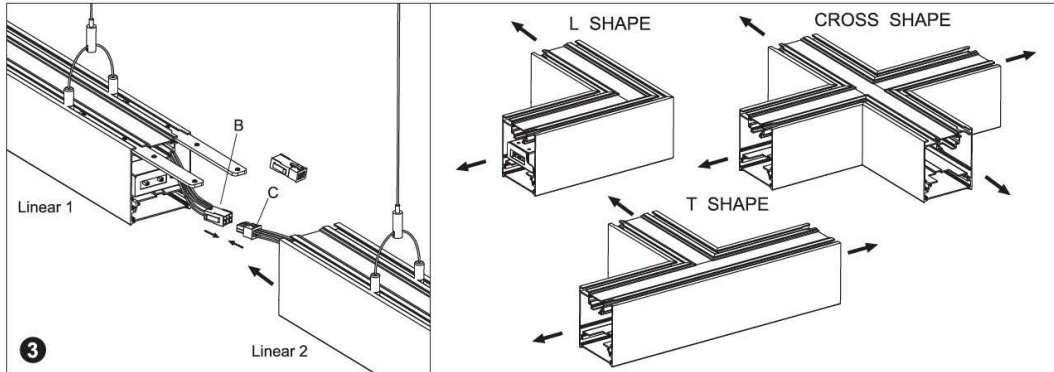


NOTES:

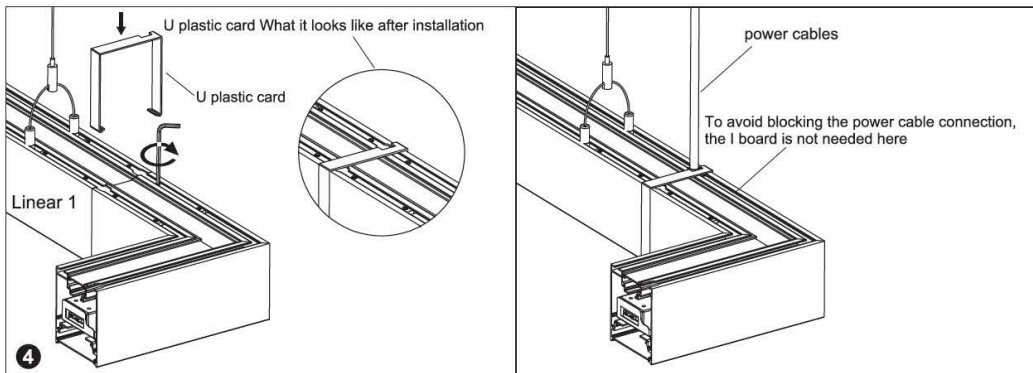
LED Dimming Drivers have adjustable output capability. A wide range of input watts/lumen output can be adjusted up or down on all models to suit a particular application. Always consult factory for the latest information.

Photometric data, IES files and all other information is available on request.

Installation Instructions

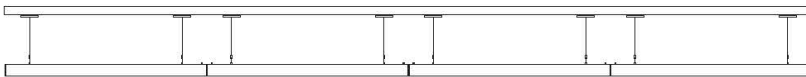


Install the Linear 2 (or L shape, T shape, CROSS shape combination connection fittings) to the ceiling and open the end cap, connect B and C as the picture shows.



Push back Power Supply Board to Linear 1 then insert the I-shape plate to Linear 2 (or L shape, T shape, CROSS shape Combination connection fittings), tighten the I-shape plate with 8 pcs screws. Finally, the U plastic card is buckled at the joint to make the lamps and lanterns more beautiful.

Install the Linear Light as above method, keep one main input cord on one side.



NOTE: LED LINEAR CAN BE JOINED TOGETHER AS NEEDED, BUT THE TOTAL NUMBER OF FIXTURES SHOULD BE NOT MORE THAN 7PCS (INCLUDING 7PCS) if you order to use 18# cord, More Links can be Customized.

NOTES:

LED Dimming Drivers have adjustable output capability. A wide range of input watts/lumen output can be adjusted up or down on all models to suit a particular application. Always consult factory for the latest information.

Photometric data, IES files and all other information is available on request.