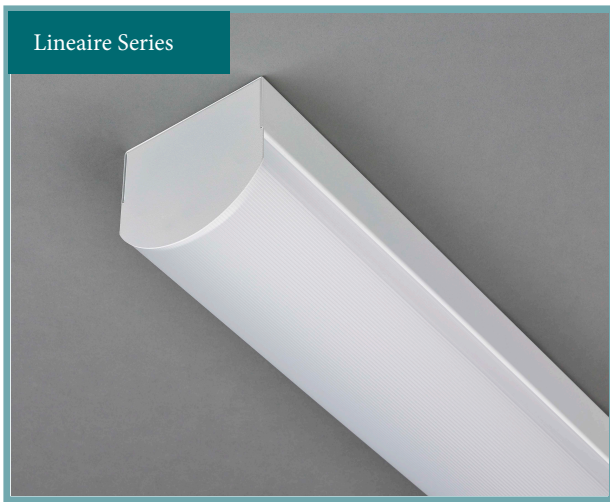


The Lineaire Series LED fixture family has been developed to dramatically improve energy efficiency and quality of light using Solid State Lighting (SSL) technologies. The Lineaire Series LED fixtures provide an attractive, energy efficient, architectural look which has been specifically designed to replace existing fluorescent lighting or for use in new construction. Comfortable low glare, uniform lighting is attributed to this style of fixture. Typical applications for this type of product are interior spaces.

Prefix: LNR



- Retail Environments
- Commercial Spaces
- Schools, Colleges and Universities
- Hospitals and Healthcare Facilities
- Government Facilities



project:

fixture type:

catalog #:

quantity:


ORDERING GUIDE

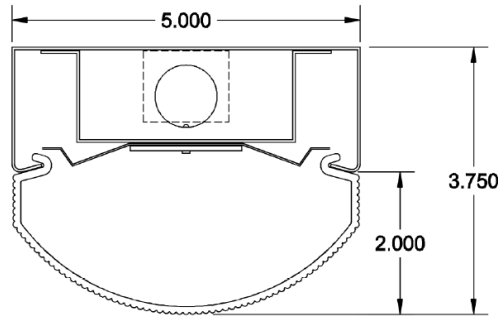
PREFIX SERIES	SIZE	OPTICS (DISTRIBUTION)	LUMEN OUTPUT	DRIVER VOLTAGE	DRIVER TYPE	COLOR TEMP.	CRI	LENS (DIFFUSER)	HOUSING COLOR/FINISH	ROW CONFIGURATION	FIXTURE OPTIONS
LNR - Lineair Series	2 - 24" 3 - 36" 4 - 48" 6 - 72" 8 - 96"	N - Normal	L010 10W 67 W L020 15W 74 W L030 22W 82 W L040 30W 89 W L050 37W 96 W L060 44W 103 W L070 51W 110 W L080 59W 117 W	UNV - Universal Voltage (120v - 277v) (60 Hz) 120 - 120v* 277 - 277v* 347 - 347v* *Special order only	DM - 0-10v Low Voltage (Standard) DM1 - 0-10v Low Voltage* Dimming (1% - 100%) LH1 - Lutron Hi-Lume* Dimming (1% - 100%) LV - Line Voltage* Dimming (120V only) DA1 - Dali-2 and D4i cert* Dimming (1% - 100%) *Special Order Only	C27 - 2700 K* C30 - 3000 K* C35 - 3500 K C40 - 4000 K C50 - 5000 K* *Special Order Only	Blank -80 CRI 9 - 90 CRI* S - Sunlike 95 CRI* *Special Order Only	AFR - Acrylic Froste Ribbed	TW - Fine Textured White Powder Coat (Standard) CS - Custom (Specify)	IND - Individual END - End of Row MID - Middle of Row	VC - "V"- Cables WG - Wire Guard SNS21x - Philips Wireless Sensor (EasySense) ††† SVP - Silivair PIR Wireless Sensor ††† SVM - Silivair Microwave Sensor †††† LAR - Lutron Athena Wireless control RF Only ††††† LAP - Lutron Athena Wireless PIR Sensor ††† LVR - Lutron Vive Wireless control RF Only ††††† LVP - Lutron Vive Wireless PIR Sensor ††† WLS - Wave Linx Integral PIR Sensor ††† Aux - Auxiliary output 12 or 24V EM - Emergency Battery Pack †

† Standard "EM" option to be NiCd Battery @ 5 Watts constant power @ 90 min. duration (standard). Consult factory for all available options.
 † † PIR sensors provide: Occupancy/Vacancy, Daylight Harvesting, Task Tuning & Advanced Grouping control options. (max 12 ft mounting height, highbay options available upon request)
 † † † Microwave sensor provides: Occupancy/Vacancy, Task Tuning, Energy Monitoring & Advanced Grouping control options. (Sensor not visible from exterior of fixture, max 12 ft mounting height)
 † † † † RF sensors provide: Wireless fixture control only. (Wireless controls must be located within 60 ft (18 m) from each other in the line of sight, or 30 ft(9 m) through walls)

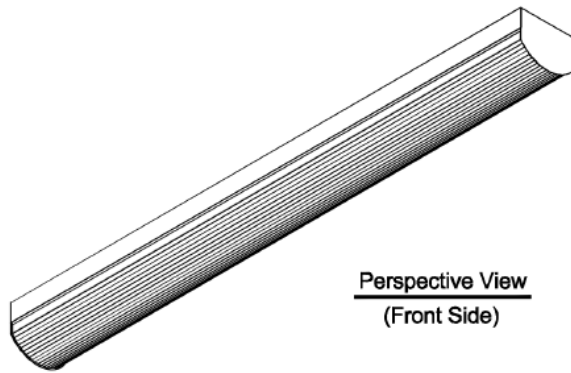
** LNR Series Luminaires have a lumen output range from 1500 Lumens through 12,000 Lumens depending on length of fixture and driver/board configuration. Consult factory for correct catalog number on all custom configured lighting products.

PRIOR TO REPLACING AN EXISTING FLUORESCENT FIXTURE, PLEASE NOTE THE FOLLOWING:

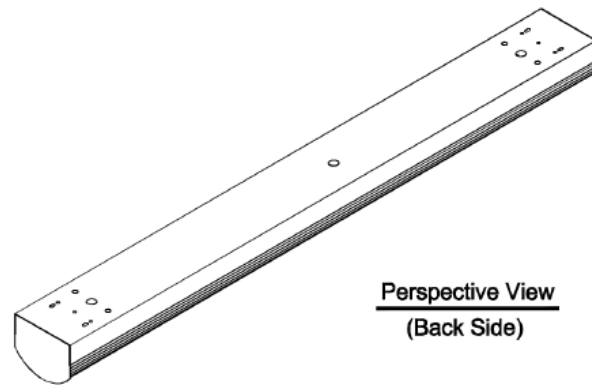
 Fluorescent lamps contain small amounts of mercury. Such lamps are labeled "Contains Mercury" and / or with the symbol "Hg." Lamps that contain mercury must be disposed of in accordance with local requirements. Information regarding lamp recycling and disposal can be found at www.lamprecycle.org.



Cross Section



Perspective View
(Front Side)



Perspective View
(Back Side)

Design Features / Specifications

Construction:

- Housing to be manufactured from code-gauge, die-formed cold rolled steel
- All components are mechanically / resistance welded fasted for strength and rigidity
- Electrical Knock-Outs (EKO's) are provide in end caps and housing

Reflector:

Reflectors are precision die-formed from code-gauged cold rolled steel. finish is high-reflectance white powder coat baked enamel. (94%T.R. Min.) Driver Cover is secured into housing with thumb nut style fasteners for ease of maintenance

Finish:

- All housings and components manufactured from cold rolled steel receive a multi-stage iron phosphate pre-treatment prior to finishing.
- Gloss white polyester powder coat baked enamel for extreme durability and architectural aesthetics. Pre-Paint is standard. Post-Paint is optional.
- Custom colors and finishes are available as an option (including color-matching).

LEDs / OPTICS:

- High performance LED boards manufactured specifically for interior lighting. LED boards feature the most current LEDs for maximum performance, efficiency and longevity.
- Standard color temperatures offered are 3500K and 4000K. Consult factory for all other color temperature options. 80 CRI (Minimum) standard, 90 CRI and Sunlike 95 CRI Options available.
- RoHS Compliant.
- Always consult factory for the latest developments and improvements concerning LEDs and Optics.

DRIVERS:

- Electronic, constant current type. Universal voltage (120v-277v).
- 0-10v dimmable. 10-100% (Standard)
 - 100% (Optional).
- Line Voltage Dimming Drivers are optional.
- Auxiliary output (Optional) used to power various sensors / wireless modules. (12 or 24Vdc options specify when ordering)
- Suitable for dry and damp locations.
- UL Recognized Class P, RoHS Compliant.

ELECTRICAL:

- Surface/Suspended fixtures are UL/CUL listed and labeled
- LM80 Performance for 50,000+ hours.
- Driver disconnect provided where required to comply with US and Candaian codes

DIFFUSER:

- Custom extruded from special blend of 100% virgin acrylic & high light transmission / LED diffusing polymer. 30% DR additive use to increase resistance to breakage.
- Extruded linear ribs provide clean, aesthetic, architectural look.
- Lens thickness to be 0.080" (standard). Consult factory for special requirements.

MOUNTING:

- Fixtures are designed to be surface mounted or suspended using pendant, aircraft cable, or jack chain. Consult factory for all other special mounting conditions.

QUALITY CONTROL:

- All fixtures are designed, fabricated, assembled, tested, packaged and shipped from RENOVA's manufacturing facility in Warwick, RI. (USA)

WARRANTY:

5-year limited warranty. Please refer to RENOVA's website at www.renova.com/sales/warranties for the latest warranty terms and conditions.

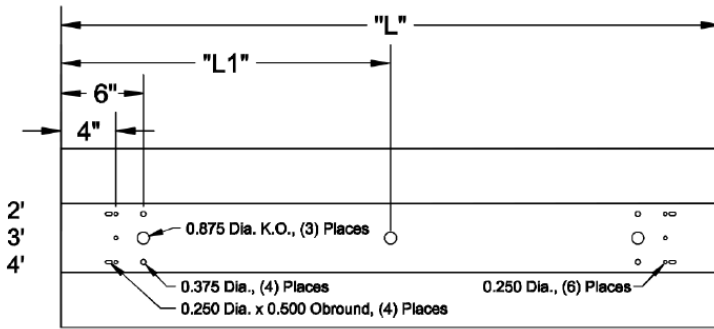
NOTES:

LED Dimming Drivers have adjustable output capability. A wide range of input watts/lumen output can be adjusted up or down on all models to suit a particular application. Always consult factory for the latest information.

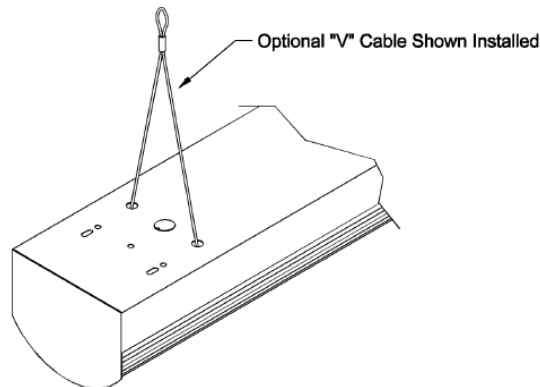
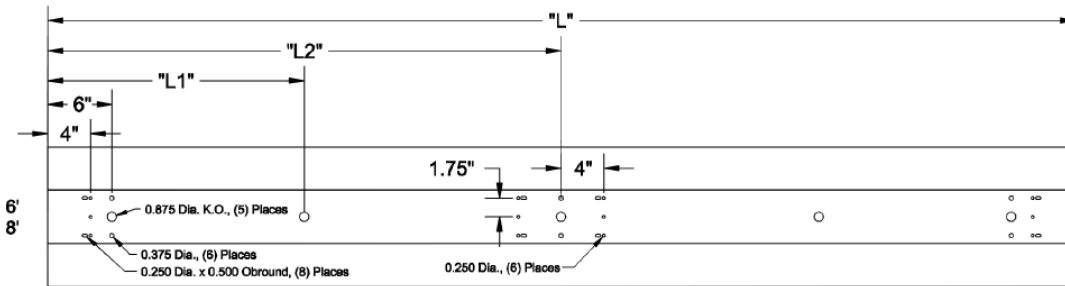
Photometric data, IES files and all other information is available on request.

RENOVA products are constantly being improved; therefore the information shown is subject to change without notice. Always consult your lighting representative or RENOVA Lighting Systems, Inc. for the latest information.

Mounting Details/General Fixture Lengths



Size	"L" Dim.	"L1" Dim.	"L2" Dim.
2'-0"	24.000"	12.000"	N/A
3'-0"	36.000"	18.000"	N/A
4'-0"	48.000"	24.000"	N/A
6'-0"	72.000"	18.000"	36.000"
8'-0"	96.000"	24.000"	48.000"



NOTES:

LED Dimming Drivers have adjustable output capability. A wide range of input watts/lumen output can be adjusted up or down on all models to suit a particular application. Always consult factory for the latest information.

Photometric data, IES files and all other information is available on request.

RENOVA products are constantly being improved; therefore the information shown is subject to change without notice. Always consult your lighting representative or RENOVA Lighting Systems, Inc. for the latest information.