

Narrow Vapor Tight Luminaire

Prefix: NVT



The Narrow Vapor Tight (NVT) Series has been developed for all dust, damp/wet, vapor proof, cold weather and outdoor applications. Fixture can be surface (wall or ceiling), pendant, chain or cable mounted. This series utilizes LED technology for optimal fixture efficiency, reduction of energy consumption and improved quality of light. It also provides instant-on operation and offers many other energy saving options.



project:

fixture type:

catalog #:

quantity:

ORDERING GUIDE

PREFIX/SERIES	SIZE	OPTICS (DISTRIBUTION)	LUMEN OUTPUT*	DRIVER VOLTAGE	DRIVER TYPE	CCT Selectable COLOR TEMP.	LENS (DIFFUSER)	HOUSING COLOR / FINISH	FIXTURE OPTIONS
NVT Vapor Tight	4 - 4'	N - Normal	L070 7000lms	UNV - Universal Voltage (120v - 277v) (50/60 Hz) (Standard)	DM - 0-10v Low Voltage Dimming (10% - 100%) (Standard)	L070 - 3500K/4000K/5000K	PF - Polycarbonate (frosted)	PG - Polycarbonate (grey)	ODS - Occupancy Sensor EM - Emergency Battery Pack

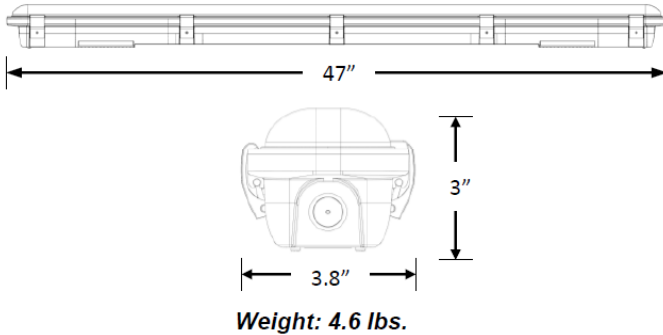
PRIOR TO REPLACING AN EXISTING FLUORESCENT FIXTURE, PLEASE NOTE THE FOLLOWING:



Fluorescent lamps contain small amounts of mercury. Such lamps are labeled "Contains Mercury" and / or with the symbol "Hg." Lamps that contain mercury must be disposed of in accordance with local requirements. Information regarding lamp recycling and disposal can be found at www.lamprecycle.org.

Narrow Vapor Tight Luminaire

FIXTURE DIMENSIONS



FEATURES, WARRANTY & LISTINGS

Prefix: NVT

- Field selectable 3500k (warm/neutral white), 4000k (neutral white), and 5000k (cool white) color temperatures.*
- Long-life LEDs provide 187,000 hours of operation with at least 70% of initial lumen output (L70), and 57,000 hours with at least 90% of initial lumen output (L90).**
- LED chromaticity based on < 5-step ANSI quadrangles.
- LED color maintenance < 0.002 chromaticity shift ($\Delta\Delta u'v'$) over the initial 6,000 hours of operation.
- Selectable lumen outputs range from 5,000, 6,000 to 7,000 nominal lumens and uses 40, 45, to 50 nominal watts.*
- Universal 120-277 AC voltage (50-60Hz) is standard.
- 0-10vdc dimming is standard.
- Power factor > 0.90.
- Total harmonic distortion < 20%.
- Color rendering index > 80.
- Polycarbonate housing and lens.
- Stainless steel lens clips.
- Stainless steel mounting brackets and v-hooks included.
- Easy installation in new construction or retrofit applications.
- cULus listed for wet locations in ambient temperatures from -40°C to 43°C (-40°F to 109°F).
- DLC approved.
- Complies with FCC Part 15, class A.
- Complies with IEEE C.62.41-1991, input transient protection (2.5kV).
- Flicker-free per IEEE1789-2015 (no observable adverse effects of flicker at 100% light output level).
- Not suitable for use in car wash applications.
- 5-year warranty of all electronics and housing.

ELECTRICAL DATA

Measurements	Low Lumens			Mid Lumens			High Lumens		
	3500K	4000K	5000K	3500K	4000K	5000K	3500K	4000K	5000K
Lumens	5157	5303	5181	6009	6198	6034	7295	7611	7381
Watts	37	36	37	44	43	44	53	51	53
Efficacy	138	146	139	135	144	136	138	149	140
Input Current (A)	120V = 0.31A	120V = 0.30A	120V = 0.31A	120V = 0.37A	120V = 0.36A	120V = 0.37A	120V = 0.44A	120V = 0.43A	120V = 0.44A
	240V = 0.15A	240V = 0.15A	240V = 0.15A	240V = 0.18A	240V = 0.18A	240V = 0.18A	240V = 0.22A	240V = 0.21A	240V = 0.22A
	277V = 0.13A	277V = 0.13A	277V = 0.13A	277V = 0.16A	277V = 0.16A	277V = 0.16A	277V = 0.19A	277V = 0.18A	277V = 0.19A

NOTES:

LED Dimming Drivers have adjustable output capability. A wide range of input watts/lumen output can be adjusted up or down on all models to suit a particular application. Always consult factory for the latest information.

Photometric data, IES files and all other information is available on request.

RENOVA products are constantly being improved; therefore the information shown is subject to change without notice. Always consult your lighting representative or RENOVA Lighting Systems, Inc. for the latest information.