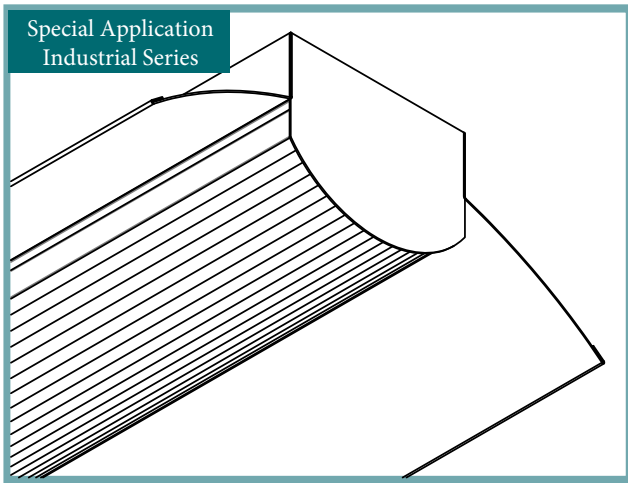


Prefix: SAI

The Special Application Industrial Series LED fixture family has been developed to dramatically improve energy efficiency and quality of light using Solid State Lighting (SSL) technologies. The Special Application Industrial Series LED fixtures provide an attractive, energy efficient, architectural look which has been specifically designed to replace existing fluorescent lighting or for use in new construction. Comfortable low glare, uniform lighting is attributed to this style of fixture. Typical applications for this type of product are interior spaces.

- Retail Environments
- Commercial Spaces
- Schools, Colleges and Universities
- Hospitals and Healthcare Facilities
- Government Facilities



project:

fixture type:

catalog #:

quantity:

ORDERING GUIDE

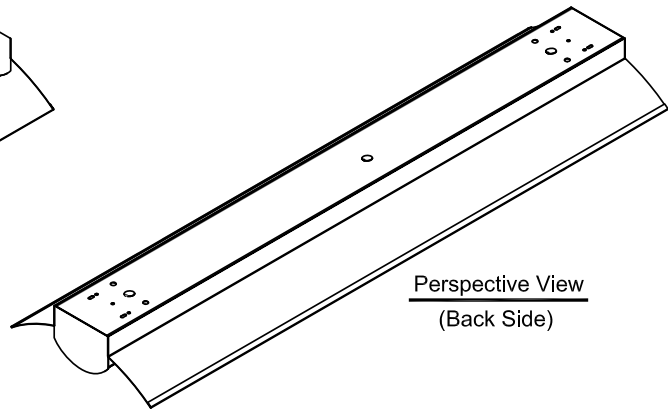
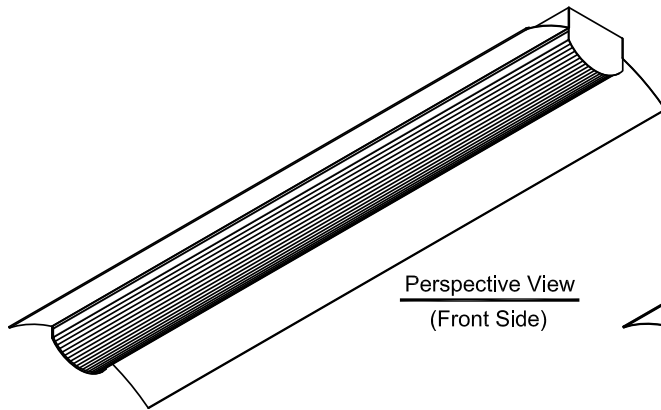
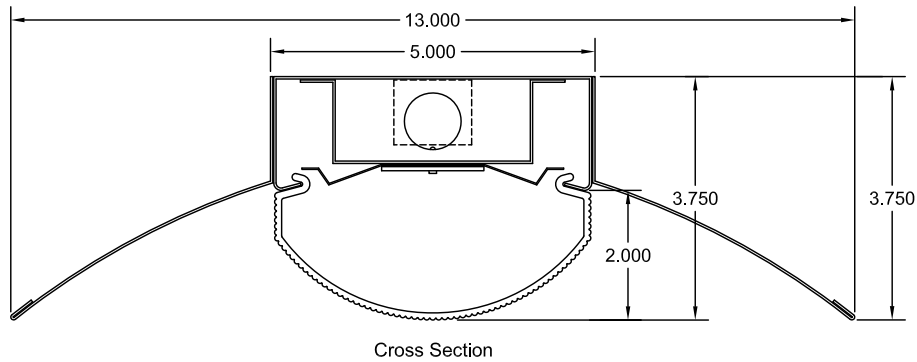
| PREFIX SERIES | SIZE | OPTICS (DISTRIBUTION) | LUMEN OUTPUT | DRIVER VOLTAGE | DRIVER TYPE | COLOR TEMP. | LENS (DIFFUSER) | HOUSING COLOR/FINISH | FIXTURE CONSTRUCTION | FIXTURE OPTIONS |
|---|---|------------------------------------|---|---|---|--|------------------------------|--|---|---|
| SAI - Special Application Industrial Series | 2 - 24" 3 - 36" 4 - 48" 6 - 72" 8 - 96" | N - Normal C - Custom (Specify) | L015 - 1500 lm L020 - 2000 lm L030 - 3000 lm L040 - 4000 lm L050 - 5000 lm L060 - 6000 lm L070 - 7000 lm L080 - 8000 lm L090 - 9000 lm L100 - 10000 lm L110 - 11000 L120 - 12000 lm LC - Custom (Specify) | UNV - Universal Voltage (120v - 277v) (60 Hz) 120 - 120v 277 - 277v 347 - 347v* *Special order only | DM - 0-10v Low Voltage Dimming (10% - 100%) (Standard) DM1 - 0-10v Low Voltage Dimming (1% - 100%) SD - Step Dimming (50% - 100%) LV1 - Line Voltage Dimming (120v) LV2 - Line Voltage Dimming (277v) | C27 - 2700 K* C30 - 3000 K* C35 - 3500 K C40 - 4000 K C50 - 5000 K* *Special Order Only | AFR - Acrylic Frosted Ribbed | GW - Gloss White (Standard) TW - Fine Textured White Powder Coat CS - Custom (Specify) | (BLANK) - Standard SCA - NYC / SCA Specs | QP1 - Quick Plug Wire VC-"V"- Cables SNS21x - Philips Wireless Sensor (EasySense) ††† SVP- Silvair PIR Wireless Sensor ††† SVM- Silvair Microwave Sensor †††††† LAR- Lutron Athena Wireless control RF Only †††††† LAP -Lutron Athena Wireless PIR Sensor †††††† LVR - Lutron Vive Wireless control RF Only †††††† LVP - Lutron Vive Wireless PIR Sensor †††††† WLS -Wave Linx Integral PIR Sensor †††††† Axx - Auxiliary output 12 or 24V EM - Emergency Battery Pack † |

PRIOR TO REPLACING AN EXISTING FLUORESCENT FIXTURE, PLEASE NOTE THE FOLLOWING:



Fluorescent lamps contain small amounts of mercury. Such lamps are labeled "Contains Mercury" and / or with the symbol "Hg." Lamps that contain mercury must be disposed of in accordance with local requirements. Information regarding lamp recycling and disposal can be found at www.lamprecycle.org.

** SAI Series Luminaires have a lumen output range from 1500 Lumens through 12,000 Lumens depending on length of fixture and driver/board configuration. Consult factory for correct catalog number on all custom configured lighting products.



Design Features / Specifications

Construction:

- Housing to be manufactured from code-gauge, die-formed cold rolled steel
- All components are mechanically / resistance welded fastened for strength and rigidity
- Electrical Knock-Outs (EKO's) are provided in end caps and housing

Reflector:

- Reflectors are precision die-formed from code-gauged cold rolled steel. Finish is high-reflectance white powder coat baked enamel. (94%T.R. Min.)
- Driver Cover is secured into housing with thumb nut style fasteners for ease of maintenance

Finish:

- All housings and components manufactured from cold rolled steel receive a multi-stage iron phosphate pre-treatment prior to finishing.
- Gloss white polyester powder coat baked enamel for extreme durability and architectural aesthetics. Pre-Paint is standard. Post-Paint is optional.
- Custom colors and finishes are available as an option (including color-matching).

LEDs / OPTICS:

- High performance LED boards manufactured specifically for interior lighting. LED boards feature the latest mid-power LEDs for maximum performance, efficiency and longevity.
- Standard color temperatures offered are 3500K and 4000K. Consult factory for all other color temperature options. 80 CRI (Minimum). RoHS Compliant.
- Always consult factory for the latest developments and improvements concerning LEDs and Optics.

DRIVERS:

- Electronic, constant current type. Universal voltage (120v-277v) is standard.
- 0-10v Low Voltage, dimmable. 10%-100% (Standard). 0%-100% (Optional).
- Step-Dim and Line Voltage Drivers (Specify Voltage) are optional.
- Suitable for dry and damp locations. UL recognized Class 2, RoHS Compliant

DIFFUSER:

- Custom extruded from special blend of 100% virgin acrylic & high light transmission / LED diffusing polymer. 30% DR additive used to increase resistance to breakage.
- Extruded linear ribs provide clean, aesthetic, architectural look.
- Lens thickness to be 0.080" (standard). Consult factory for special requirements.

MOUNTING:

- Fixtures are designed to be surface mounted or suspended using pendant, aircraft cable, or jack chain. Consult factory for all other special mounting conditions.

ELECTRICAL:

- Surface/Suspended fixtures are UL/CUL listed and labeled
- LM80 Performance for 50,000+ hours.
- Bi-Level dimming options allows 50% power reduction for compliance with common energy codes.
- Driver disconnect provided where required to comply with US and Canadian codes

QUALITY CONTROL:

- All fixtures are designed, fabricated, assembled, tested, packaged and shipped from RENOVA's manufacturing facility in Warwick, RI. (USA)

WARRANTY:

5-year limited warranty. Please refer to RENOVA's website at www.renova.com/sales/warranties for the latest warranty terms and conditions.

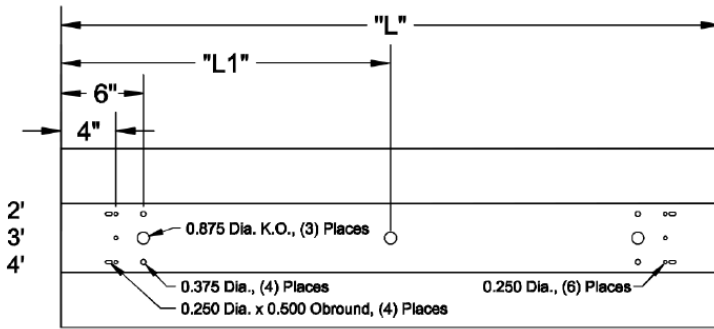
NOTES:

LED Dimming Drivers have adjustable output capability. A wide range of input watts/lumen output can be adjusted up or down on all models to suit a particular application. Always consult factory for the latest information.

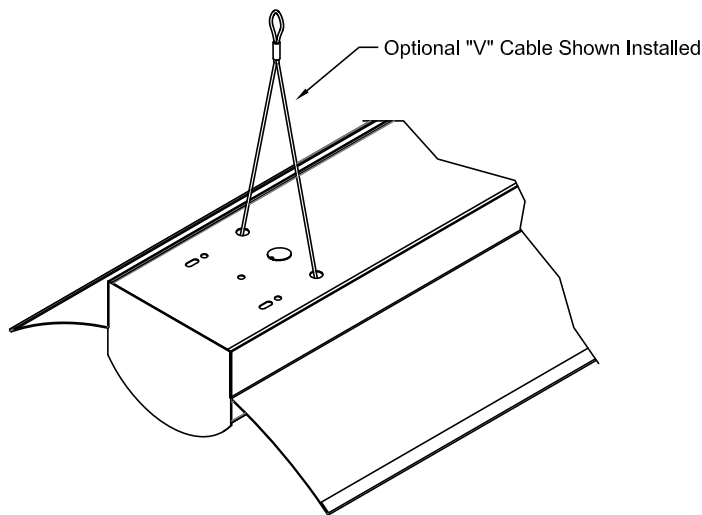
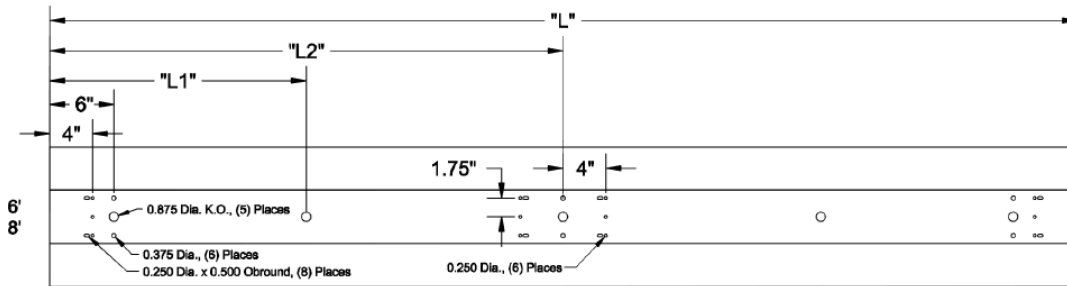
Photometric data, IES files and all other information is available on request.

RENOVA products are constantly being improved; therefore the information shown is subject to change without notice. Always consult your lighting representative or RENOVA Lighting Systems, Inc. for the latest information.

Mounting Details/General Fixture Lengths



| Size | "L" Dim. | "L1" Dim. | "L2" Dim. |
|-------|----------|-----------|-----------|
| 2'-0" | 24.000" | 12.000" | N/A |
| 3'-0" | 36.000" | 18.000" | N/A |
| 4'-0" | 48.000" | 24.000" | N/A |
| 6'-0" | 72.000" | 18.000" | 36.000" |
| 8'-0" | 96.000" | 24.000" | 48.000" |



NOTES:

LED Dimming Drivers have adjustable output capability. A wide range of input watts/lumen output can be adjusted up or down on all models to suit a particular application. Always consult factory for the latest information.

Photometric data, IES files and all other information is available on request.

RENOVA products are constantly being improved; therefore the information shown is subject to change without notice. Always consult your lighting representative or RENOVA Lighting Systems, Inc. for the latest information.

Lighting Fixture Schedule and System Information

| Fixture Type | Size | *Input Watts | Lumens (Min.) | Color Temp. | Voltage | LED Driver | Mounting |
|--------------|-------|--------------|---------------|-------------|-------------|----------------|---------------|
| F | 4'-0" | *50 | 4500 | 3500K | 120v - 277v | (1) - Integral | Surf. / Pend. |
| F1 | 8'-0" | *90 | 9000 | 3500K | 120v - 277v | (1) - Integral | Surf. / Pend. |

*Note:

Input Watts listed are approximate values only and are listed only as a general guideline.