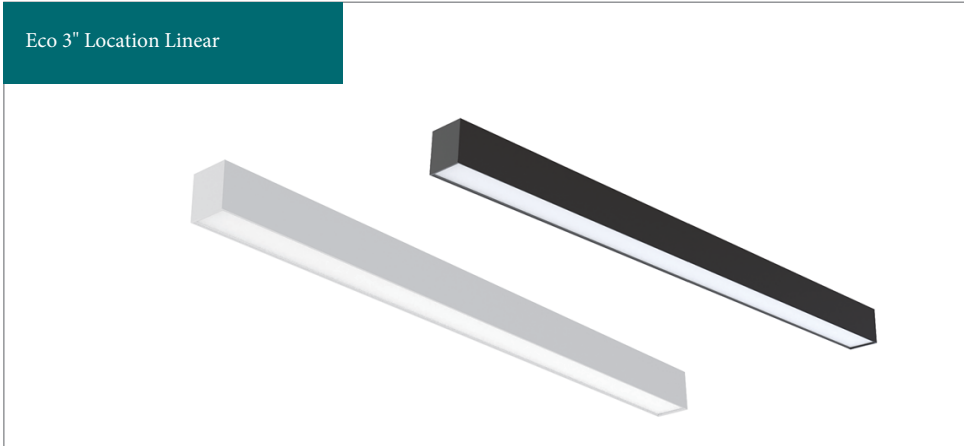


The Eco Series Linear LED is a linear surface mounted fixture that brings an innovative design to a 3" form factor with an integral driver. The Eco Line series provides an attractive, energy efficient architectural look which provides a comfortable, low glare, uniform lighting. Typical applications for this type of product are interior spaces where finished ceilings and walls exist. CCT and Lumen selectable. Applications Include:

- Commercial/Corporate Office Spaces
- Retail Spaces, Public Spaces and Airports
- Schools, Colleges and Universities
- Hospitals, Government Facilities and Military Bases



project:

fixture type:

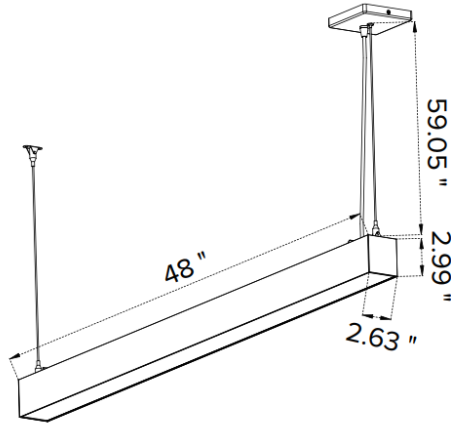
catalog #:

quantity:

ORDERING GUIDE

PREFIX/SERIES	SIZE	Color	CRI	LUMEN SELECTABLE	DRIVER VOLTAGE	COLOR TEMP. SELECTABLE	DRIVER	Options
<b>EL3-S</b> Eco Line Series 3" Surface Mount	<b>4FT - 4'</b>	<b>MWH</b> - White <b>MBK</b> - Black	<b>S80</b> - 80 Cri	<b>LFKS</b> 1950lms (15w) 3250lms (25w) 4550lms (35w) 6500lms (50w)	<b>UNV</b> - Universal Voltage (120v - 277v) (60 Hz)	<b>Blank</b> - 3500K 4000K 5000K	<b>DM</b> - 0-10V 10% Dim	<b>EM</b> - Emergency Battery <b>MS</b> - Microwave sensor <b>SM</b> - Surface mount kit

### EL3S Fixture Dimensions



4FT: L x W x H  
48" x 2.63" x 2.99"  
(1219.2x66.8x75.95mm)

#### CONSTRUCTION

- The rugged, one-piece Roll sheet metal bottom shell housing features a rock-solid quality and performance
- The LED module and driver are I-separated and extend service life
- Innovative contractor-friendly packaging makes installation faster
- The compact design saves labor cost and improves installation efficiency

#### DRIVERS

- Electronic Driver, 120-277V, 50/60Hz or PF>0.90. 0-10V Dimming Standard for a Dimming Range of 100% to 10%;

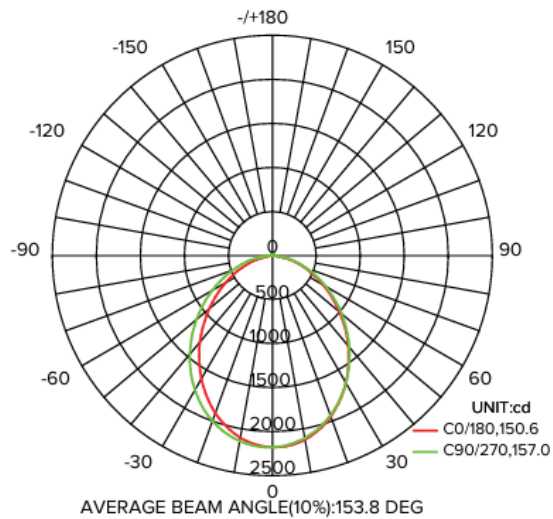
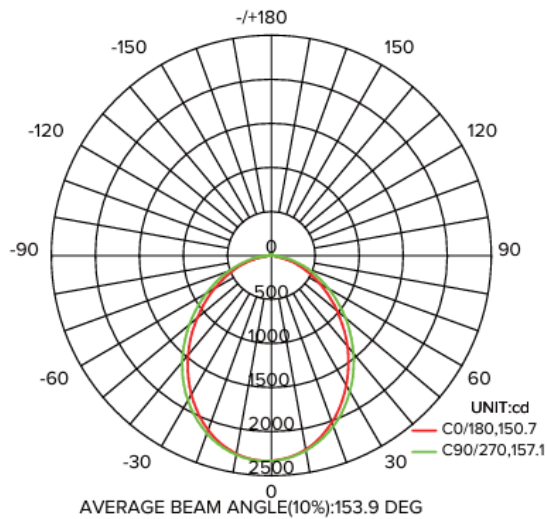
#### WARRANTY

- 5-year limited warranty.
- Please refer to RENOVA's website at [www.renova.com/sales/warranties](http://www.renova.com/sales/warranties) for the latest warranty terms and conditions.

#### ELECTRICAL

- Universal 120-277VAC input voltage.
- Wattage adjustable: 100%, 80%, 60%.
- 0-10V dimming standard for a dimming range of 100% to 10%.
- Operating Temperature Range: -20°C to 45°C
- Note: Operating with emergency battery temperature range: 5°C to 45°C (+41°F - +113°F).

### Photometric Data



#### NOTES:

LED Dimming Drivers have adjustable output capability. A wide range of input watts/lumen output can be adjusted up or down on all models to suit a particular application. Always consult factory for the latest information.

Photometric data, IES files and all other information is available on request.

RENOVA products are constantly being improved; therefore the information shown is subject to change without notice. Always consult your lighting representative or RENOVA Lighting Systems, Inc. for the latest information.

**ACCESSORIES**



**Microwave Motion Sensor**



**Emergency Battery Backup**

**Color Temperature & Light Distribution Field Adjustable Controls**



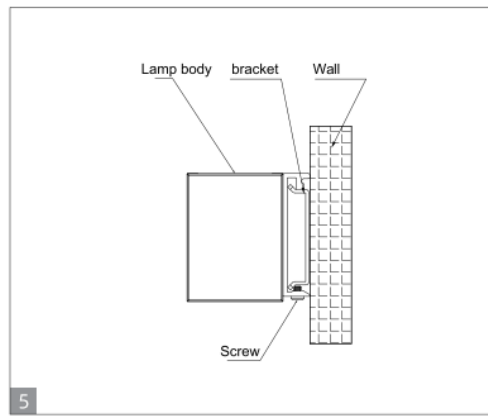
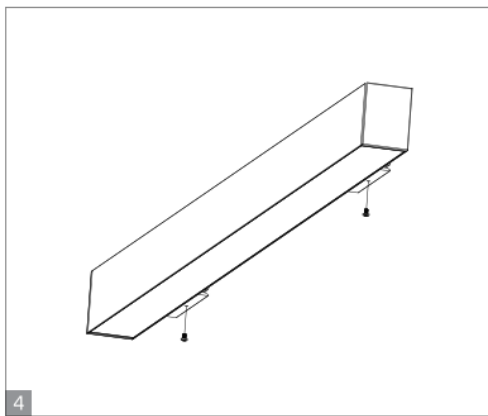
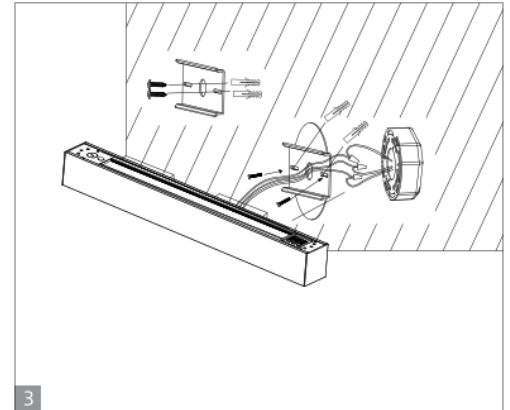
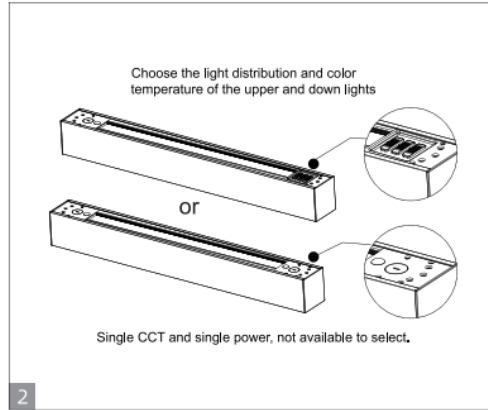
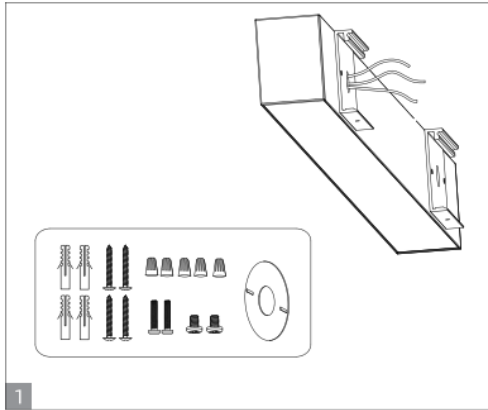
**NOTES:**

LED Dimming Drivers have adjustable output capability. A wide range of input watts/lumen output can be adjusted up or down on all models to suit a particular application. Always consult factory for the latest information.

Photometric data, IES files and all other information is available on request.

RENOVA products are constantly being improved; therefore the information shown is subject to change without notice. Always consult your lighting representative or RENOVA Lighting Systems, Inc. for the latest information.

## Installation Instructions



### NOTES:

LED Dimming Drivers have adjustable output capability. A wide range of input watts/lumen output can be adjusted up or down on all models to suit a particular application. Always consult factory for the latest information.

Photometric data, IES files and all other information is available on request.

RENOVA products are constantly being improved; therefore the information shown is subject to change without notice. Always consult your lighting representative or RENOVA Lighting Systems, Inc. for the latest information.