

The Eco Series Linear LED is a linear pendant mounted fixture that brings an innovative design to a 3" form factor with an integral driver. The Eco Line series provides an attractive, energy efficient architectural look which provides a comfortable, low glare, uniform lighting. Typical applications for this type of product are interior spaces where finished ceilings and walls exist. CCT and Lumen selectable. Applications Include:

- Commercial/Corporate Office Spaces
- Retail Spaces, Public Spaces and Airports
- Schools, Colleges and Universities
- Hospitals, Government Facilities and Military Bases



project:

fixture type:

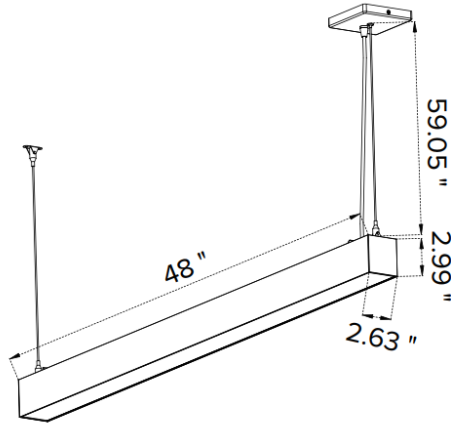
catalog #:

quantity:

ORDERING GUIDE

PREFIX/SERIES	SIZE	Color	CRI	LUMEN SELECTABLE	DRIVER VOLTAGE	COLOR TEMP. SELECTABLE	DRIVER	Options
EL3-P Eco Line Series 3" Pendant Mount	4FT - 4'	MWH - White MBK - Black	S80 - 80 Cri	LFKS 1950lms (15w) 3250lms (25w) 4550lms (35w) 6500lms (50w)	UNV - Universal Voltage (120v - 277v) (60 Hz)	Blank - 3500K 4000K 5000K	DM - 0-10V 10% Dim	EM - Emergency Battery MS - Microwave sensor SC - Straight Connector LC - L Connector +C - Cross connector CFL - Cutable Flexible cover RC - Round Canopy SQ - Square Canopy

EL3P Fixture Dimensions



4FT: L x W x H
48" x 2.63" x 2.99"
(1219.2x66.8x75.95mm)

CONSTRUCTION

- The rugged, one-piece Roll sheet metal bottom shell housing features a rock-solid quality and performance
- The LED module and driver are I-separated and extend service life
- Innovative contractor-friendly packaging makes installation faster
- The compact design saves labor cost and improves installation efficiency

DRIVERS

- Electronic Driver, 120-277V, 50/60Hz or PF>0.90, 0-10V Dimming Standard for a Dimming Range of 100% to 10%;

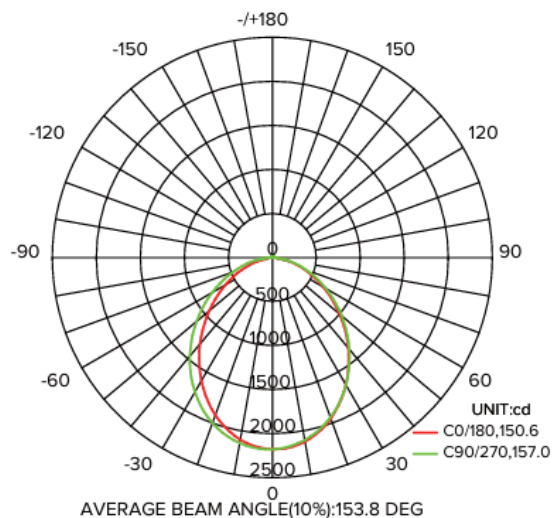
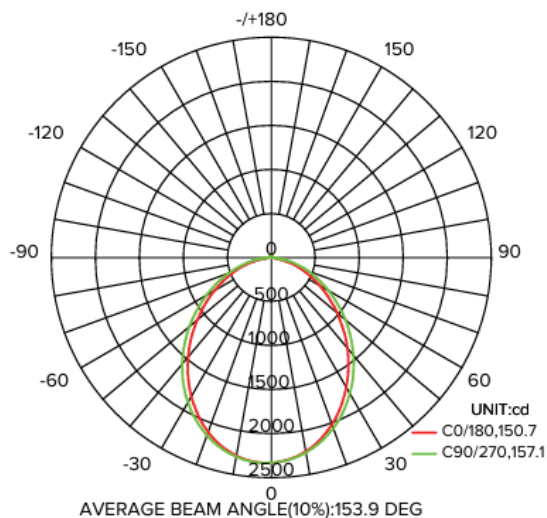
WARRANTY

- 5-year limited warranty.
- Please refer to RENOVA's website at www.renova.com/sales/warranties for the latest warranty terms and conditions.

ELECTRICAL

- Universal 120-277VAC input voltage.
- Wattage adjustable: 100%, 80%, 60%.
- 0-10V dimming standard for a dimming range of 100% to 10%.
- Operating Temperature Range: -20°C to 45°C
- Note: Operating with emergency battery temperature range: 5°C to 45°C (+41°F - +113°F).

Photometric Data



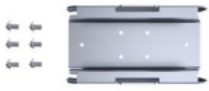
NOTES:

LED Dimming Drivers have adjustable output capability. A wide range of input watts/lumen output can be adjusted up or down on all models to suit a particular application. Always consult factory for the latest information.

Photometric data, IES files and all other information is available on request.

RENOVA products are constantly being improved; therefore the information shown is subject to change without notice. Always consult your lighting representative or RENOVA Lighting Systems, Inc. for the latest information.

ACCESSORIES



Straight Connector



L Connector



T Connector



+Connector



Cutable Flexible Cover



Round Canopy &
Power Cable



Square Canopy &
Power Cable



Microwave Motion Sensor



Emergency Battery Backup

Color Temperature & Light Distribution Field Adjustable Controls



CCT Switchable
3500/4000/5000K

Uplight Downlight

Adjustable Light Distribution

- ① UP: 100% & DOWN: 0%
- ② UP: 70% & DOWN: 30%
- ③ UP: 50% & DOWN: 50%
- ④ UP: 30% & DOWN: 70%
- ⑤ UP: 0% & DOWN: 100%

A B C

Pendant (Up&down) Pendant (Up) Pendant (Down) Surface mounted Recessed Wall mounted (Up&down) Wall mounted (Up) Wall mounted (Down)

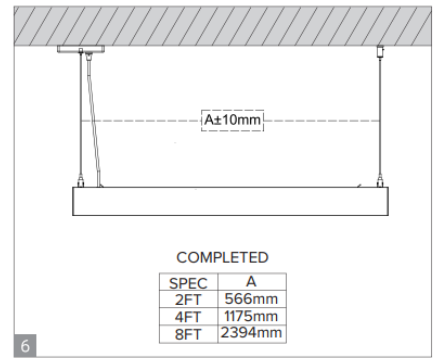
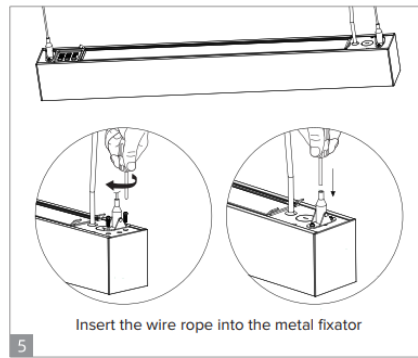
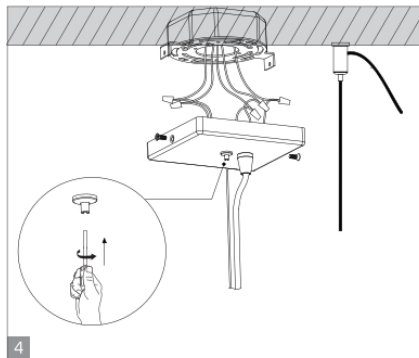
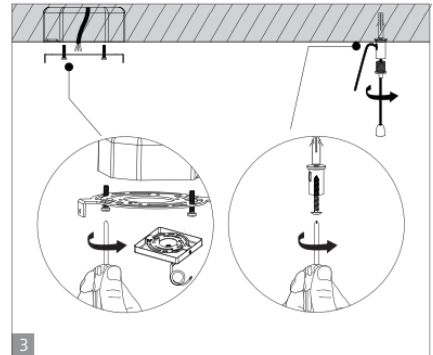
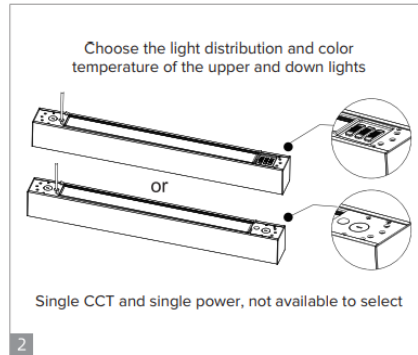
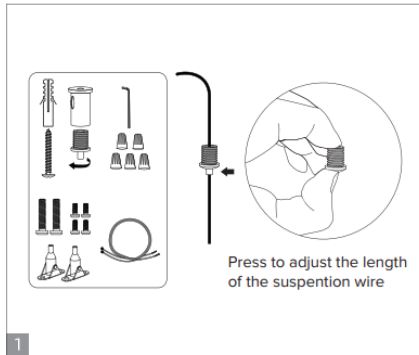
NOTES:

LED Dimming Drivers have adjustable output capability. A wide range of input watts/lumen output can be adjusted up or down on all models to suit a particular application. Always consult factory for the latest information.

Photometric data, IES files and all other information is available on request.

RENOVA products are constantly being improved; therefore the information shown is subject to change without notice. Always consult your lighting representative or RENOVA Lighting Systems, Inc. for the latest information.

Square Installation Instructions



Round Installation Instructions

