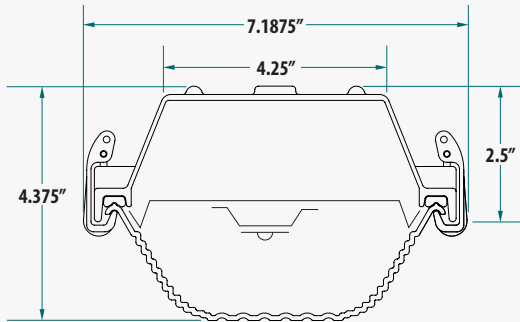




Series:
Energy Conservation Series (ECS)

Fixture Type :
MVT Mini Vapor Tight

Project Name	Fixture Type	Catalog #	Quantity
<input type="text"/>	<input type="text"/>	<input type="text"/>	<input type="text"/>



Cross Section



The Mini Vapor Tight (MVT) Series has been developed for all dust, damp/wet, vapor proof, cold weather and outdoor applications. Fixture can be surface (wall or ceiling), pendant, chain or cable mounted. This series utilizes solid state lighting (SSL) technology for optimal fixture efficiency, reduction of energy consumption and improved quality of light. It also provides instant-on operation and offers many other energy saving options.

Design Features / Specifications

CONSTRUCTION:

- Housing is precision injection molded from fiberglass reinforced polyester resin. Approval and/or listings as follows:
 - UL/CUL/NSF International
 - U.S. Department of Agriculture

GASKETING:

- New technology molecular structure gasket material is poured into pre-treated housing channel to insure stronger adhesion and to provide maximum protection against moisture and dust.

LEDs / OPTICS:

- High performance LED boards manufactured specifically for interior and exterior lighting. LED boards feature the latest mid-power LEDs for maximum performance, efficiency and longevity.
- Standard color temperatures offered are 3500K, 4000K and 5000K. Consult factory for all other color temperature options. 80 CRI (Minimum). RoHS Compliant.
- Always consult factory for the latest developments and improvements concerning LEDs and Optics.

DRIVERS:

- Electronic, high efficiency, programmable, linear, constant current type. Universal voltage 120v-277v (Standard) 0-10v dimming (Standard)

DIFFUSER:

- Choice of clear acrylic and frosted acrylic. Linear ribbed pattern (Standard)

MOUNTING:

- Fixtures are designed to be surface mounted or suspended using pendant, aircraft cable, or jack chain. Consult factory for all other special mounting conditions.

ELECTRICAL:

- Surface Mount Fixtures are UL/CUL listed and labeled for wet locations.
- LM80 performance for 50,000+ hours
- Driver disconnect provided where required to comply with US & Canadian codes.

QUALITY CONTROL:

- All fixtures are designed, fabricated, assembled, tested, packaged and shipped from RENOVA's manufacturing facility in Warwick, RI (USA).

WARRANTY:

5-year limited warranty. Please refer to RENOVA's website at www.renova.com/sales/warranties for the latest warranty terms and conditions.

ORDERING GUIDE

PREFIX/SERIES	LENGTH	OPTICS (DISTRIBUTION)	LUMEN OUTPUT*	DRIVER VOLTAGE	DRIVER TYPE	COLOR TEMP.	LENS (DIFFUSER)
MVT - Mini Vapor Tight	2 - 24" 4 - 48" 8 - 96"	N - Normal C - Custom (Specify)	L015 1500 L020 2000 L030 3000 L040 4000 L050 5000 L060 6000 L070 7000 L080 8000 L090 9010 L100 10000 L110 11000 L120 12000 LC - Custom (Specify)	UNV - Universal Voltage (120v - 277v) (60 Hz) (Standard) 120 - 120v, 60Hz 277 - 277v, 60Hz 347 - 347v *Special Order Only	DM - 0-10v Low Voltage Dimming (10% - 100%) (Standard) SD - Step Dimming (50% / 100%) LV - Line Voltage Dimming *Specify Voltage (120v or 277v)	C27 - 2700 K* C30 - 3000 K* C35 - 3500 K C40 - 4000 K C50 - 5000 K* *Special Order Only	ACR - Acrylic Clear Ribbed AFR - Acrylic Frosted Ribbed

Note: RENOVA products are constantly being improved; therefore, the information shown is subject to change without notice. Always consult your lighting representative or RENOVA Lighting Systems, Inc. for the latest information.