

Narrow Profile Strip

Prefix: NPS

The Narrow Profile Strip (NPS) Fixture family has been developed to dramatically improve energy efficiency and quality of light using Solid State Lighting (SSL) technologies. The Narrow Profile Strip Series provides an attractive, low profile, energy efficient architectural look which has been specifically designed to replace existing fluorescent lighting or for use in new construction. Comfortable, low glare, uniform lighting is attributed to this style of fixture. Typical applications for this type of product are interior spaces where finished ceilings and walls exist. Applications include:

- Commercial/Corporate Office Spaces
- Schools, Colleges and Universities
- Retail Spaces, Public Spaces and Airports
- Hospitals, Government Facilities and Military Bases



project: \_\_\_\_\_

fixture type: \_\_\_\_\_

catalog #: \_\_\_\_\_

quantity: \_\_\_\_\_

ORDERING GUIDE

PREFIX/SERIES	SIZE	LUMEN OUTPUT*	DRIVER VOLTAGE	DRIVER TYPE	COLOR TEMP.	LENS (DIFFUSER)	HOUSING COLOR / FINISH	FIXTURE OPTIONS
NPS - Narrow Profile Strip Fixture	4 - 4'	4' (8w)	UNV - Universal Voltage (120v - 277v) (60 Hz)	DM - 0-10v Low Voltage Dimming (10% - 100%)	C35 - 3500 K C40 - 4000 K C50 - 5000 K Blank-Field Selectable*	F - Frosted Linear PMMA Lens	GW - Gloss White (Smooth)	<b>SNS21x - Philips</b> Wireless Sensor (EasySense) † † † <b>SVP - Silvair</b> PIR Wireless Sensor † † † <b>SVM - Silvair</b> Microwave Sensor † † † † <b>LAR - Lutron</b> Athena Wireless control RF Only † † † † † <b>LAP - Lutron</b> Athena Wireless PIR Sensor † † † <b>LVR - Lutron</b> Vive Wireless control RF Only † † † † † <b>LVP - Lutron</b> Vive Wireless PIR Sensor † † † <b>WLS - Wave</b> Linx Sidecar PIR Sensor † † <b>OS - Occupancy</b> Sensor Passive Infrared** <b>Axx - Auxiliary</b> output 12 or 24V <b>EM - Emergency</b> Battery Pack † <b>TAA - Compliant</b>
	8 - 8'	8' (14w)						

\*LKFS = Field Selectable Delivered Lumens  
4ft = 3500(25w)/4000(30w)/5000lms(34w)  
8ft = 7000(50w)/8500(60w)/10000lms(69w)

\*Blank = Field Selectable  
CCT 35K/4K/5K

\*\*Only options available with LKFS Field Selectable selection.

OS = passive infrared technology - features include on/off

ODS = microwave technology - features include on/off, step-dimming, and daylight threshold. Default sensor settings: detection area = 100%, hold time = 5 seconds, stand-by period = 0 seconds, stand-by dimming

level = 10%, daylight threshold = disabled. Remote control optional but not required, part number = HD03R.

† Standard "EM" option to be NiCd Battery @ 5 Watts constant power @ 90 min. duration (standard). Consult factory for all available options.

† † See page 2/4 for more information on dimensional requirements.

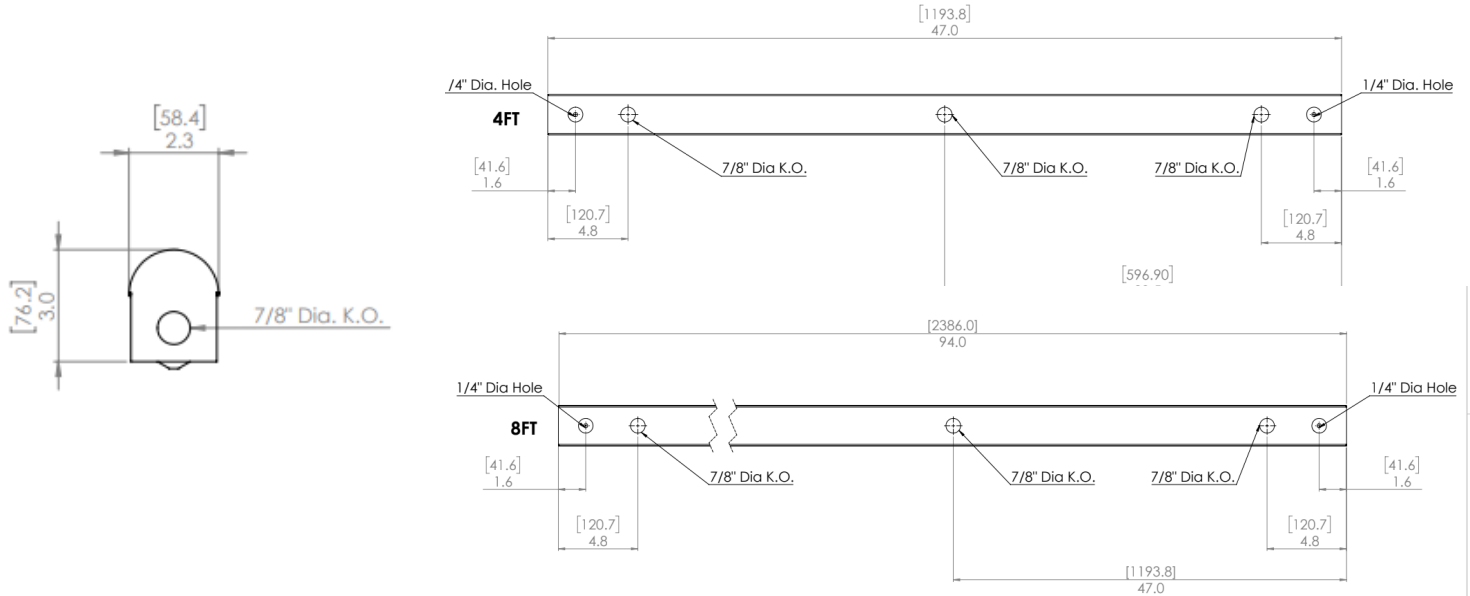
† † † PIR sensors provide: Occupancy/Vacancy, Daylight Harvesting, Task Tuning & Advanced Grouping control options. (max 12 ft mounting height, highbay options available upon request)

† † † † Microwave sensor provides: Occupancy/Vacancy, Task Tuning, Energy Monitoring & Advanced Grouping control options. (Sensor not visible from exterior of fixture, max 12 ft mounting height)

† † † † † RF sensors provide: Wireless fixture control only. (Wireless controls must be located within 60 ft (18 m) from each other in the line of sight, or 30 ft (9 m) through walls)

NPS Cross Section & Fixture Dimensions

Prefix: NPS



Note: Unless otherwise specified, all EKO's are 7/8" diameter.

**CONSTRUCTION**

- Precision die-formed from code-gauge cold rolled steel.
- Mechanically fastened standard
- Consult factory for all options or any modifications needed.

**FINISH**

- Housing
  - High Reflectance Gloss White.
- Reflector/Optics
  - High Reflectance White for superior optical efficiency.

**LED's/OPTICS**

- High performance LED boards manufactured specifically for interior lighting. LED boards feature the latest LEDs for maximum performance, efficiency and longevity.
- Standard color temperatures offered are 3500K, 4000K and 5000K. Consult factory for all other color temperature options. 80 CRI (Minimum). RoHS Compliant.
- Always consult factory for the latest developments and improvements concerning LEDs and Optics.

**DRIVERS**

- Electronic, high efficiency, programmable, linear, constant current type. Universal voltage 120v-277v (Standard)
- 0-10v dimmable. 10%-100% dimming (Standard) Factory programmed drive current.
- Auxiliary output (Optional) used to power various sensors / wireless modules.
- Suitable for dry and damp locations.
- UL/CUL Class 2 Recognized, RoHS Compliant.

**LENS (DIFFUSER)**

- frosted lens / diffuser manufactured from extruded, 100% virgin acrylic & high light transmission

**MOUNTING**

- Fixtures are designed to be surface mounted, or suspended using pendant, aircraft cable, or jack chain. Consult factory for all other special mounting conditions.

**ELECTRICAL**

- Surface Mount Fixtures are UL/CUL listed and labeled for dry/damp locations.
- LM80 performance for 50,000+ hours
- Driver disconnect provided where required to comply with US & Canadian codes.

**QUALITY CONTROL**

- All fixtures are designed, fabricated, assembled, tested, package, and shipped from Renova's manufacturing facility in Warwick, RI (USA)

**WARRANTY**

- 5-year limited warranty.
- Please refer to RENOVA's website at [www.renova.com/sales/warranties](http://www.renova.com/sales/warranties) for the latest warranty terms and conditions.

**PRIOR TO REPLACING AN EXISTING FLUORESCENT FIXTURE, PLEASE NOTE THE FOLLOWING:**



Fluorescent lamps contain small amounts of mercury. Such lamps are labeled "Contains Mercury" and / or with the symbol "Hg." Lamps that contain mercury must be disposed of in accordance with local requirements. Information regarding lamp recycling and disposal can be found at [www.lamprecycle.org](http://www.lamprecycle.org).

**NOTES:**

LED Dimming Drivers have adjustable output capability. A wide range of input watts/lumen output can be adjusted up or down on all models to suit a particular application. Always consult factory for the latest information.

Photometric data, IES files and all other information is available on request.

RENOVA products are constantly being improved; therefore the information shown is subject to change without notice. Always consult your lighting representative or RENOVA Lighting Systems, Inc. for the latest information.