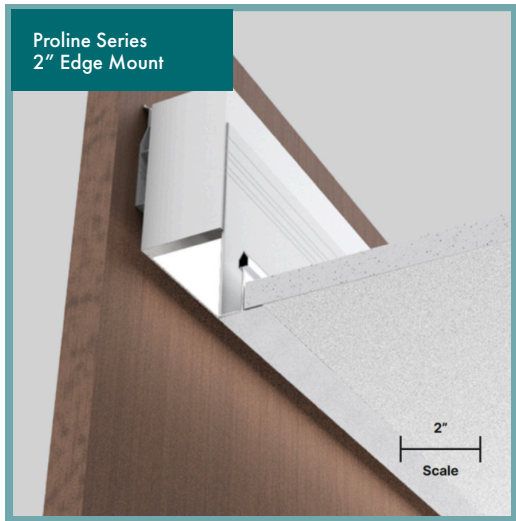


The ProLine Series Linear LED is a linear wall mount fixture bringing superior optical capabilities to a 2" form factor with an integral driver. The ProLine2 edge mount is designed to be specification grade with a wide range of beam options, high CRI, and color options. The ProLine2 also comes with a range of accessories, mounting options, and finishes that provide an easy route to customization and performance enhancements. The ProLine series provides an attractive, energy efficient architectural look which provides a comfortable, low glare, uniform lighting. Typical applications for this type of product are interior spaces where finished ceilings and walls exist.



Applications Include:

- Commercial/Corporate Office Spaces
- Retail Spaces, Public Spaces and Airports
- Schools, Colleges and Universities
- Hospitals, Government Facilities and Military Bases

project:

fixture type:

catalog #:

quantity:

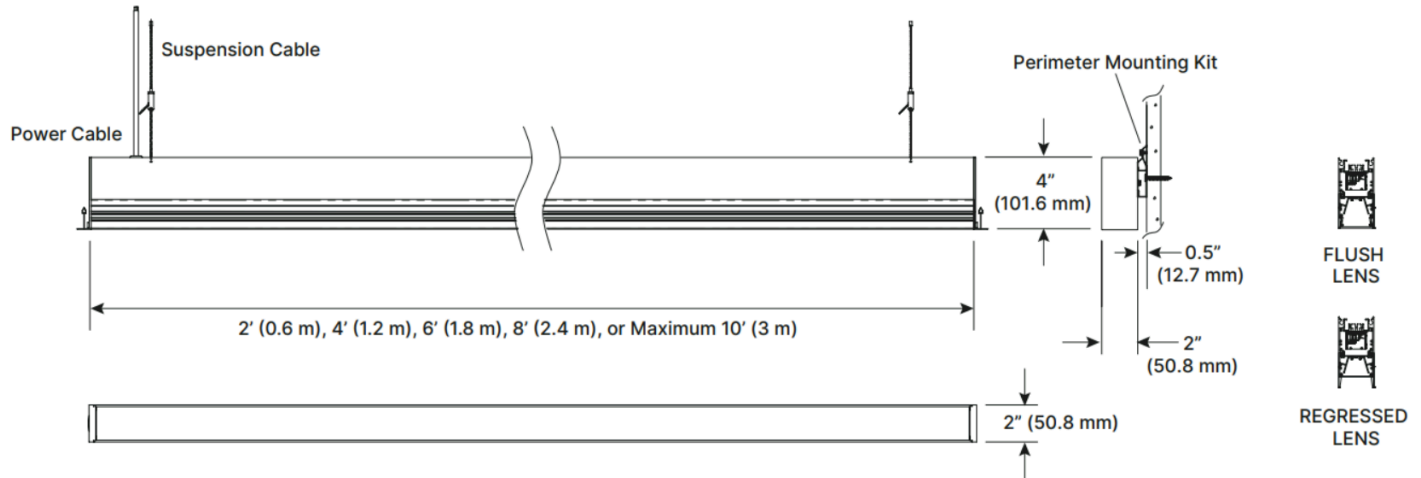
ORDERING GUIDE

PL2- E														
--------	--	--	--	--	--	--	--	--	--	--	--	--	--	--

PREFIX/SERIES	SIZE	FINISH	LUMEN	DRIVER	DRIVER	CRI	COLOR	OPTIC	DIRECT BEAM	CONTROL SYSTEM	MOUNTING TYPE	FIXTURE MOUNTING & CONNECTIONS	EMERGENCY BACKUP
PL2-E - ProLine Series 2" Edge Mount	2 - 2ft 4 - 4ft 6 - 6ft 8 - 8ft 10 - 10ft CS - Custom (Specify)	MWH - Matte White MBK - Matte Black MGR - Matte Gray CAE - Clear Anodized Effect	L025 - 250 L035 - 350 L050 - 500 L075 - 750 L100 - 1000 LC - Custom (Specify)	UNV - Universal Voltage (120v - 277v) (60 Hz) 347-347v* *Special order only	FDND - Factory Non-Dimming FD01 - Factory 0-10V 1% Dim FD10 - Factory 0-10V 10% Dim FD0A - Factory DALI 0.1% Dim FDDX - Factory DMX Dim FDTR - Factory TRIAC Dim LD01 - Lutron Hi-Lume 1% Dim	S80 - Std. 80 CRI S90 - Std. 90 CRI SUN - Full Sun Like	C22 - 2200 K* C27 - 2700 K* C30 - 3000 K* C35 - 3500 K C40 - 4000 K C50 - 5000 K* C3022D - 3000 K-2200K Dim-to- Warm C3527D- 3500K - 2700K Dim-to- Warm *Special Order Only	OFL - Flush Lens ORL - Regressed Lens OCRL - Continuous Regressed Lens	DLAM - Lambertian DA5025 Asymmetric 50° at 25° Tilt DA4005 - Asymmetric 40° at 5° Tilt DM55 - Medium 55° DN40 - Narrow 40° LC - Custom Specify	NN - Not Needed LUT - Lutron COO - Cooper CAS - Casambi CS - Custom Specify	M1 - Flush Perimeter M2 - 2" Recessed Perimeter M3 - 3" Recessed Perimeter	RCWH2- 2" Round Canopy, White RCBK2- 2" Round Canopy, Black RCWH5 5" Round Canopy, White RCBK5 5" Round Canopy, Black S24WH 24" White Cable Kit S24BK 24" Black Cable Kit	NN - Not Needed EMC - Emergency Circuit EMB - Emergency Battery (10W - Onboard) CS - Specify Backup

PL2-E Cross Section

Prefix: PL2-E



Length

Length Options: 2', 4', 6', 8', 10' nominal, or custom within 3"

Finish- Housing Colors (Matte Finish)



Housing Material

6063-T5 extruded, recycled aluminum

Lens Options

Flush, Regressed, and Continuous Regressed

Lens Material

Patented SmartOptics® made from Acrylic (PMMA)

Voltage

Fixture Voltage (AC) 120–277 VAC and 347 VAC, 50/60 Hz

SMARTBEAM® TECHNOLOGY

The Ultimate Control of Lighting Distributions. SmartBeam makes it easy to specify the exact light required for any architectural space. It is now possible to create truly tailored and engaging lighting that transform spaces, improves visual comfort, and saves energy.

NOTES:

LED Dimming Drivers have adjustable output capability. A wide range of input watts/lumen output can be adjusted up or down on all models to suit a particular application. Always consult factory for the latest information.

Photometric data, IES files and all other information is available on request.

RENOVA products are constantly being improved; therefore the information shown is subject to change without notice. Always consult your lighting representative or RENOVA Lighting Systems, Inc. for the latest information.

FIXTURE POWER & CONTROLS

Voltage

LED Driver Factory Selected, 36–39V Constant Current

Backup Types

Emergency Circuit, Emergency Battery (Onboard), and other emergency backups are available

Wiring

Typically the Emergency Backup is wired to 48" sections

Power

10 W

Illumination Time

90 minutes

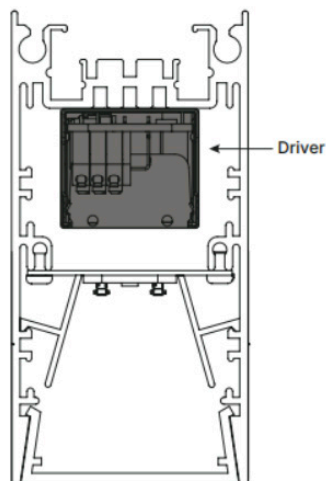
Control Systems Integral Drivers

Other: Factory Non-Dimming, Factory 0-10V 1% Dim, Factory 0-10V 10% Dim, Factory DALI 0.1% Dim, Factory DMX Dim, Factory TRIAC Dim, eldoLED 0-10V 0.1% Dim, eldoLED 0-10V 1% Dim, eldoLED DALI 0.1% Dim, and other drivers are available, consult factory (not all integral)

Lutron: Hi-Lume 1% Dimming and 5-Series 5% Dimming

Cooper: Compatible driver

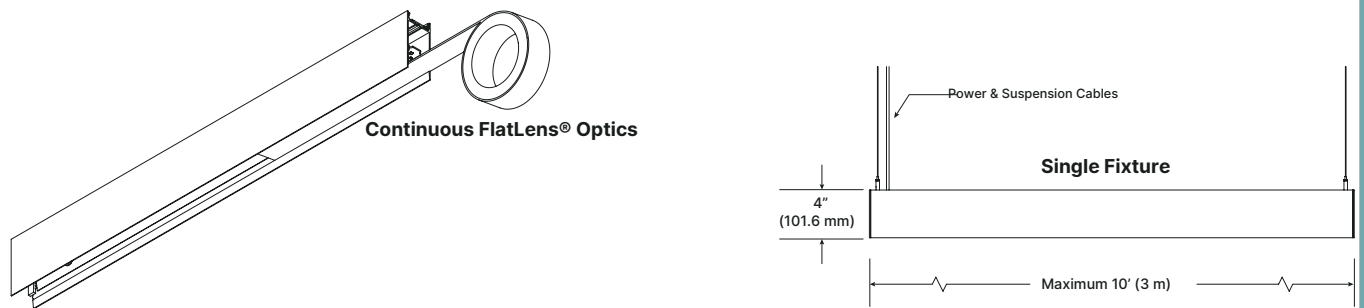
Casambi: (wireless) Compatible driver



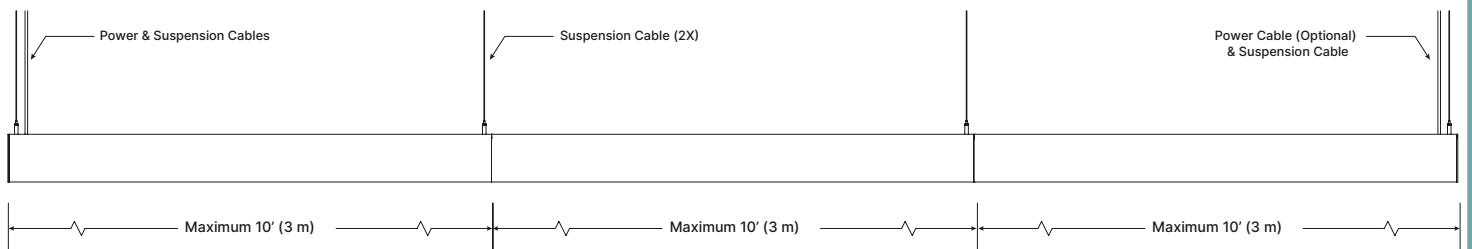
Drivers are integral to the fixture and are included. They provide 0-10V, DALI, DMX, and TRIAC dimming. Also compatible with Cooper and other common building control systems, including PoE and wireless.

Standard Lengths & Continuous Runs

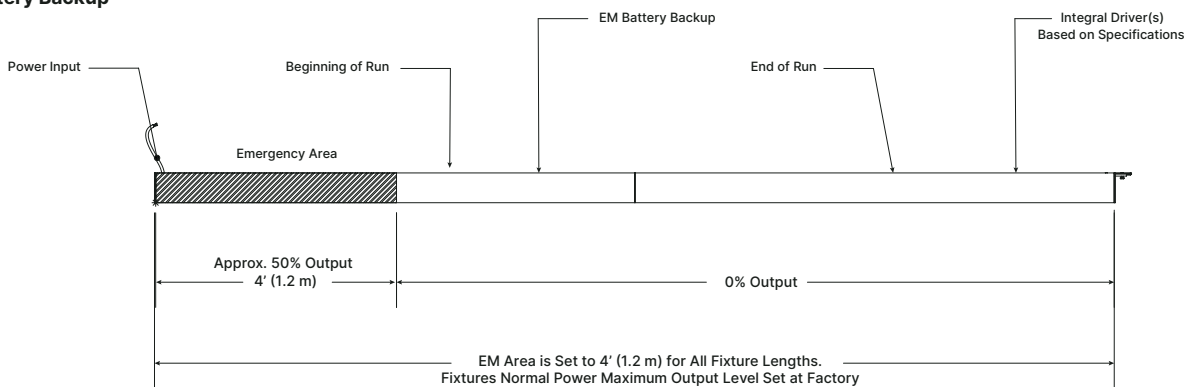
Maximum length of one fixture is 10'. Longer runs can be produced by joining sections. Customer approval of shop drawings is required prior to build of any non-standard length order. Lens can be supplied in a maximum 250' roll length with Continuous FlatLENS Optics to be installed on-site for a seamless light surface.



Standard Continuous Run



Emergency Battery Backup



Battery Power: 10 W
 Illumination Time: 90 minutes
 Light Output approx 300 lm/ft or 1200-1300 Total Lumens*
 Recharge Time: 24 Hours

*Light output may vary based on fixture output level ordered.

FIXTURE MOUNTING & CONNECTIONS

Perimeter Mount

Installs into outer edges. Available with a range of accessories, mounts and inserts that provide easy customization of visual appearance and performance enhancements.

Cable Kit

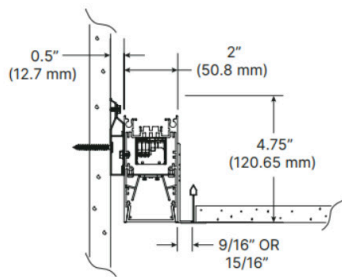
Suspension Cable: Stainless Steel

Mounting Brackets

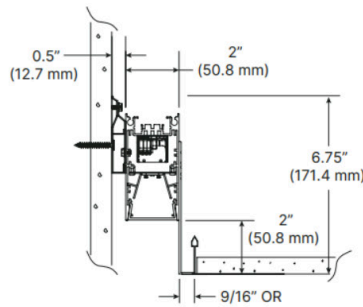
Sheet metal

Mounting Options

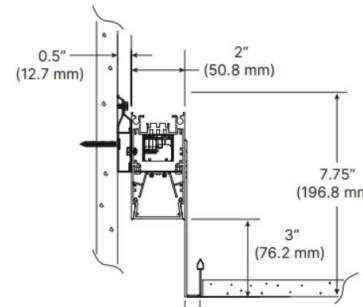
RP1 - Flush Perimeter



RP2 - 2" Recessed Perimeter



RP3 - 3" Recessed Perimeter

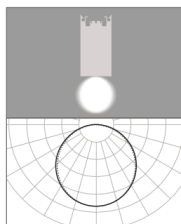


OPTIC	BEAM PATTERN				
	DLAM	DA5025	DA4005	DM55	DN40
Flush Lens	●	●	●	●	●
Regressed Lens	●	●	●	●	●

DIRECT PHOTOMETRICS

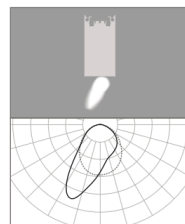
Static White Light

DLAM: Lambertian



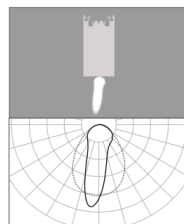
Length 48"
LED HE90
CRI/CCT 90+/3500K
Lumens 3,000
lm/ft 750
Watts 21
W/ft 5.28
LPW 142

DA5025: Asymmetric 50° at 25° Tilt



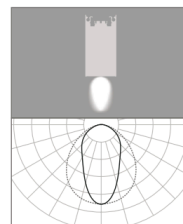
Length 48"
LED HE90
CRI/CCT 90+/3500K
Lumens 3,000
lm/ft 750
Watts 21
W/ft 5.24
LPW 143

DA4005: Asymmetric 40° at 5° Tilt



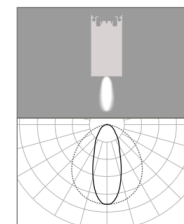
Length 48"
LED HE90
CRI/CCT 90+/3500K
Lumens 3,000
lm/ft 750
Watts 22
W/ft 5.39
LPW 139

DM55: Medium55°



Length 48"
LED HE90
CRI/CCT 90+/3500K
Lumens 3,000
lm/ft 750
Watts 22
W/ft 5.47
LPW 137

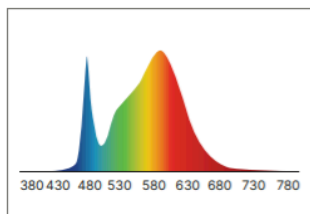
DN40: Narrow 40°



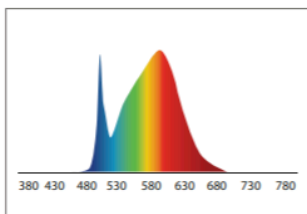
Length 48"
LED HE90
CRI/CCT 90+/3500K
Lumens 3,000
lm/ft 750
Watts 22
W/ft 5.51
LPW 136

LED SELECTION GUIDE

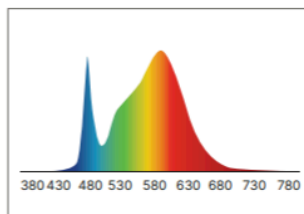
S80: Standard 80+ CRI



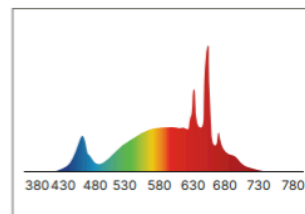
S90: Standard 90+ CRI



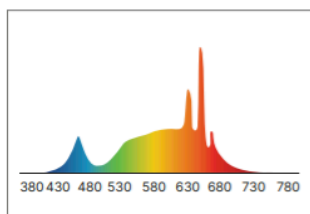
HE80: High-Efficiency 80+ CRI



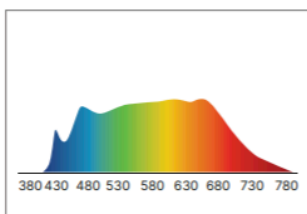
HE90: High-Efficiency 90+ CRI



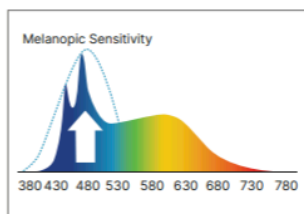
HD95: High-Definition 95+ CRI



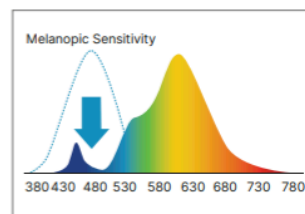
SUN: Full Spectrum "SunLike"



HCD: Human Centric Day



HCN: Human Centric Night



Static White Light (LED Light Engine Only)

CODE	DESCRIPTION	TYPICAL LED DATA							
		CCT	CRI	CRI R9	TM30 Rf	TM30 Rg	CQS	M/P Ratio	LPW
S80	Standard 80 CRI	3500K	82.5	7.8	84	96.7	82.5	0.51	190
S90	Standard 90 CRI	3500K	91	54.3	89.3	98.9	89.2	0.55	175
HE80	High Efficiency 80 CRI	3500K	82.1	5.9	83	94.2	81.2	0.52	210
HE90	High Efficiency 90 CRI	3500K	92.2	90	90.7	103.8	92.1	0.56	190
HD95	High Definition 95 CRI	3500K	97.1	95	-	-	-	0.70	163
SUN	Full Spectrum SunLike®	3500K	95	85	-	-	-	-	130
HCD	Human Centric Day	4000K	83	95	-	-	-	0.92	155
HCN	Human Centric Night	2700K	80	-	-	-	-	0.44	134

LPW Efficacy Conversion Chart

CODE	CCT SELECTED							
	2200K	2700K	3000K	3500K	4000K	5000K	5700K	6500K
S80	-	0.91	0.96	1.00	1.04	1.11	1.11	1.11
S90	-	0.91	0.96	1.00	1.04	1.11	1.11	1.11
HE80	-	0.96	0.99	1.00	1.03	1.04	1.03	1.03
HE90	-	0.91	0.96	1.00	1.04	1.11	N/A	N/A
HD95	-	0.91	0.96	1.00	1.04	1.11	1.03	1.04
SUN95	-	0.90	0.92	1.00	1.01	1.07	1.04	1.05
HCD	-	N/A	0.96	1.00	1.04	1.04	1.04	1.04
HCN	-	0.87	0.96	1.00	1.04	N/A	N/A	N/A