



The Eco Series LED Recessed Fixture family has been developed to dramatically improve energy efficiency and quality of light using Solid State Lighting (SSL) technologies. The Eco Series LED Recessed Fixtures provide an attractive, energy efficient architectural look which has been specifically designed to replace existing fluorescent lighting or for use in new construction. Comfortable, low glare, uniform lighting is attributed to this style of fixture. Typical applications for this type of product are interior spaces where finished ceilings and walls exist. Applications include:

- Commercial/Corporate Office Spaces
- Retail Spaces, Public Spaces and Airports
- Schools, Colleges and Universities
- Hospitals, Government Facilities and Military Bases



project:

fixture type:

catalog #:

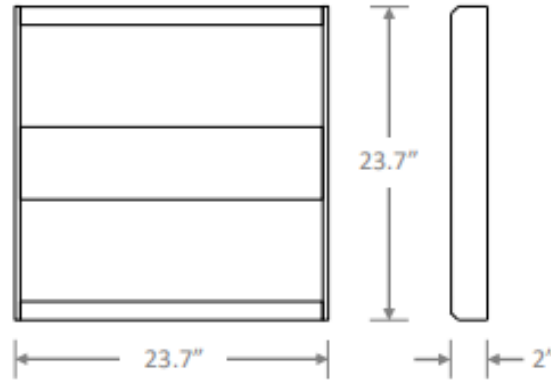
quantity:

ORDERING GUIDE

| EVN | 22 | - | N | - | LFKS | - | UNV | - | DS | - | - | - | AF | - | |
|---------------------------|-----------|-----------------------|---|--|---|--|-------------|--|--|----------|----------|----------|-----------|----------|--|
| PREFIX/SERIES | SIZE | OPTICS (DISTRIBUTION) | LUMEN OUTPUT* | DRIVER VOLTAGE | DRIVER TYPE | COLOR TEMP. | CRI | LENS (DIFFUSER) | FIXTURE OPTIONS | | | | | | |
| EVN - Eco Series Recessed | 22-2x2 | N - Normal | LFKS - Field selectable 25000lms (20w) 3100lms (25w) 3750lms (30w) 4500lms (35w) 5200lms (40w) | UNV - Universal Voltage (120v - 277v) (50/60 Hz) | DS - 0-10v Low Voltage Dimming (10% - 100%) & Triac dimming | Blank-Field Selectable 30K/35K 40K/50K/65K | Blank-80CRI | AF - Frosted Linear PMMA Lens (Standard) | BT- Bluetooth Wireless Sensor†† EM - Emergency Battery Pack † SMK24 - Surface Mounting Kit* CMK24 - Cable Mounting Kit* | | | | | | |

† Standard "EM" option to be NiCd Battery @ 5 Watts constant power @ 90 min. duration (standard). Consult factory for all available options.

† † Sensors provide: Occupancy/Vacancy, (max 12 ft mounting height, highbay options available upon request)



Weight: 7 lbs.

CONSTRUCTION

- Steel housing.
- Built-in earthquake clips provide secure installation in grid
- ceilings.

FINISH

- High Reflectance Matte White polyester powder coat baked enamel for extreme durability and superior fixture efficiency. Total Reflectance = 97%.

LED's/OPTICS

- High performance LED boards manufactured specifically for interior lighting. LED boards feature the most current LEDs for maximum performance, efficiency and longevity.
- Standard color temperatures offered are 3500K 4000K and 5000K.
- 80 CRI
- Always consult factory for the latest developments and improvements concerning LEDs and Optics.

DRIVERS

- Electronic, constant current type. Universal voltage (120v-277v) .
- 0-10v dimmable. 10-100%
- Suitable for dry and damp locations.
- UL Recognized Class P, RoHS Compliant.

LENS (DIFFUSER)

- Extruded PMMA lens.

MOUNTING

- Recessed fixtures are designed to be mounted into a standard NEMA "G" T-grid ceiling. Consult factory for all other special mounting conditions.

ELECTRICAL

- Recessed fixtures are UL/CUL Listed and labeled for dry / damp locations.
- LM80 performance for 50,000+ hours

QUALITY CONTROL

- All fixtures are designed, fabricated, assembled, tested, packaged and shipped from RENOVA's manufacturing facility in Warwick, RI (USA).

WARRANTY

- 5-Year limited warranty. Please refer to RENOVA's website at www.renova.com/sales/warranties for the latest warranty terms and conditions.

NOTES:

LED Dimming Drivers have adjustable output capability. A wide range of input watts/lumen output can be adjusted up or down on all models to suit a particular application. Always consult factory for the latest information.

Photometric data, IES files and all other information is available on request.

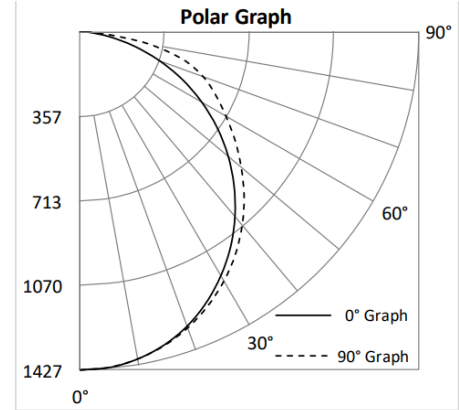
RENOVA products are constantly being improved; therefore the information shown is subject to change without notice. Always consult your lighting representative or RENOVA Lighting Systems, Inc. for the latest information.

Luminaire Data

| | |
|-----------------------------|-----------------------------------|
| Description | Center Basket 2X2 4L 5K - LKFS |
| Total Lumens | 4,205 |
| Input Wattage | 32 |
| Efficacy (lm/W) | 131 |
| Spacing Criterion (0-180°) | 1.24 |
| Spacing Criterion (90-270°) | 1.28 |

Zonal Lumen Summary

| Zone | Lumens | %Fixt |
|---------|--------|--------|
| 0-20° | 521 | 12.4% |
| 0-30° | 1,104 | 26.3% |
| 0-40° | 1,807 | 43.0% |
| 20-50° | 2,017 | 48.0% |
| 40-70° | 1,936 | 46.0% |
| 0-60° | 3,206 | 76.2% |
| 0-80° | 4,102 | 97.5% |
| 0-90° | 4,202 | 99.9% |
| 90-180° | 3 | 0.1% |
| 0-180° | 4,205 | 100.0% |

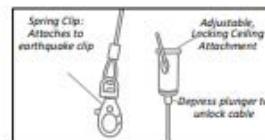
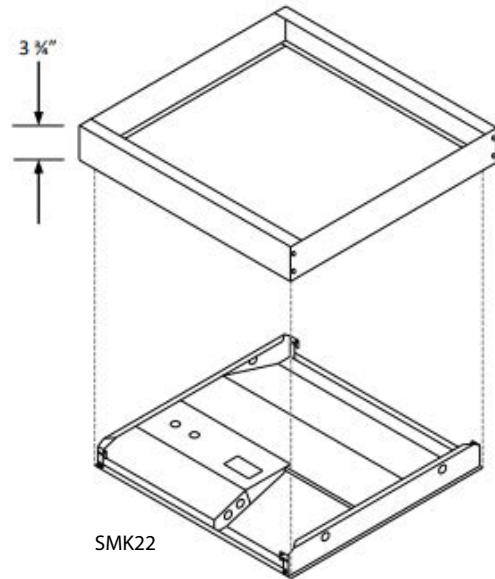


| Measurements | Low Lumens | | | Mid Lumens | | | High Lumens | | |
|-------------------|--------------|--------------|--------------|--------------|--------------|--------------|--------------|--------------|--------------|
| | 3500K | 4000K | 5000K | 3500K | 4000K | 5000K | 3500K | 4000K | 5000K |
| Lumens | 3073 | 3176 | 3120 | 3640 | 3772 | 3649 | 4220 | 4370 | 4196 |
| Watts | 22 | 22 | 22 | 27 | 27 | 27 | 32 | 31 | 32 |
| Efficacy | 137 | 144 | 139 | 134 | 142 | 134 | 131 | 140 | 131 |
| Input Current (A) | 120V = 0.18A | 120V = 0.18A | 120V = 0.18A | 120V = 0.23A | 120V = 0.23A | 120V = 0.23A | 120V = 0.27A | 120V = 0.26A | 120V = 0.27A |
| | 240V = 0.09A | 240V = 0.09A | 240V = 0.09A | 240V = 0.11A | 240V = 0.11A | 240V = 0.11A | 240V = 0.13A | 240V = 0.13A | 240V = 0.13A |
| | 277V = 0.08A | 277V = 0.08A | 277V = 0.08A | 277V = 0.10A | 277V = 0.10A | 277V = 0.10A | 277V = 0.12A | 277V = 0.11A | 277V = 0.12A |

Mounting Options:

(order separately)

- Optional surface mounting kits (SMK22) mounts below the ceiling.
- Optional cable mounting kits provide additional security, as well as suspended mounting. Attach one end of the Cable Mount Kit (CMK22) to luminaire earthquake clips using spring clips, and attach the other end to stationary structures using the adjustable, locking ceiling attachment (see picture below right).



Cable Mount Kit:

- Spring Clip
- Adjustable, locking ceiling attachment

CMK22