

The HBLSR is a field selectable, 0-10V dimming, full-body, premium-performance LED high bay luminaire. It is designed to illuminate a wide variety of settings, including commercial, industrial & retail settings such as warehouses, manufacturing facilities, sporting venues and big-box retailers. With a painted steel housing and polycarbonate lens, the HBLSR provides high levels of durability and performance. High-efficacy, long-life LEDs provide both energy and maintenance cost savings compared to traditional high bay fixtures.



project:

fixture type:

catalog #:

quantity:

ORDERING GUIDE

EXAMPLE: HBLSR-604836L-4K5k

<b>HBLSR</b>	-		-	<b>4K5K</b>	-		-		-	
MODEL		Lumen Output Selectable		Kelvin Selectable		Driver Voltage		Lens Distribution <sup>1</sup>		Em Option
HBLSR - Field selectable high bay with 0-10V dimming and polycarbonate lens		<b>181512L</b> - 18,000/15,000/12,000 lms <b>241815L</b> - 24,000/18,000/15,000 lms <b>363024L</b> - 36,000/30,000/24,000 lms <b>604836L</b> - 60,000/48,000/36,000 lms		<b>4K5K</b> - 4000k & 5000K selectable		<b>Blank</b> - 120-277V		<b>Blank</b> - Medium <b>ND</b> - Narrow <b>WD</b> - Wide		<b>Blank</b> - No EM <b>EM25</b> - 25W EM installed <b>TAA</b> - option

<sup>1</sup>Medium - DLC 5.1 Premium  
Narrow & Wide - DLC 5.1 Standard

Accessories (Ordered Separately)

Sensors:

- HD07VR-PH-1** = Passive infrared sensor - maximum mounting height = 39 FT, factory settings: detection area = 100%, hold time = 5 sec, stand-by period = 0 sec, stand-by dimming level = 10%, daylight threshold = disabled
- HD07VR-MH-B-1** = Microwave step-dimming sensor - maximum mounting height = 49 FT, factory settings: detection area = 100%, hold time = 5 sec, stand-by period = 0 sec, stand-by dimming level = 10%, daylight threshold = disabled
- HD05R** = Remote control for HD07VR-PH-1 & HD07VR-MH-B-1 (required to change factory settings)
- SNH211** - Signify Easysense High bay wireless control, occupancy, vacancy, daylight harvesting and advanced fixture grouping.

Wire Guard:

- HBLSR-WG-181512L** = Wire guard kit for HBLSR-181512L-4K5K
- HBLSR-WG-241815L** = Wire guard kit for HBLSR-241815L-4K5K
- HBLSR-WG-363024L** = Wire guard kit for HBLSR-363024L-4K5K
- HBLSR-WG-604836L** = Wire guard kit for HBLSR-604836L-4K5K

Mounting Options:

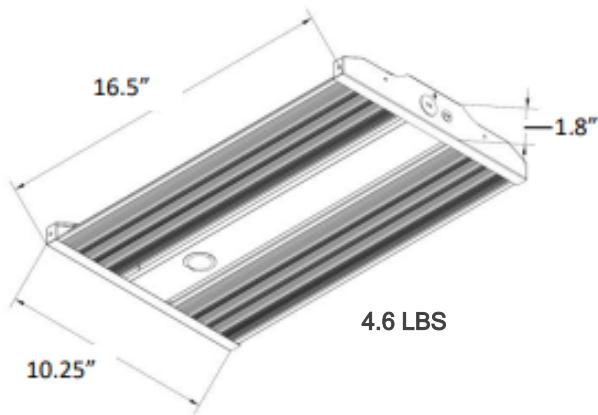
- HBLSR-SMK** = Surface mount kit for HBLSR - all models (not compatible with UNC or EM25 options)
- HBLSR-PMK** = Pendant mount for HBLSR - all models (not compatible with UNC or EM25 options)
- LEDFHB-CMK3** = Cable mount kit, 3 meters long - all models
- LEDFHB-CMK5** = Cable mount kit, 5 meters long - all models

Lumen Levels

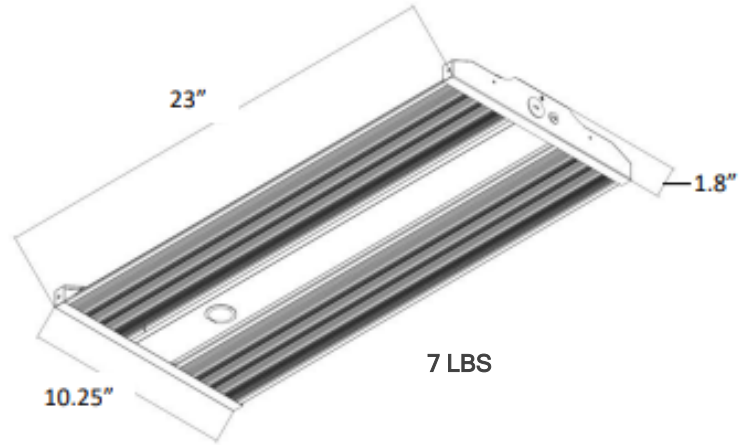
Wattage chart	High	Med.	Low
<b>HBLSR-181512L-4K5K</b>	<b>122w</b>	<b>97w</b>	<b>77w</b>
<b>HBLSR-241815L-4K5K</b>	<b>158w</b>	<b>116w</b>	<b>95w</b>
<b>HBLSR-363024L-4K5K</b>	<b>240w</b>	<b>195w</b>	<b>154w</b>
<b>HBLSR-604836L-4K5K</b>	<b>408w</b>	<b>316w</b>	<b>238w</b>

Dimensions

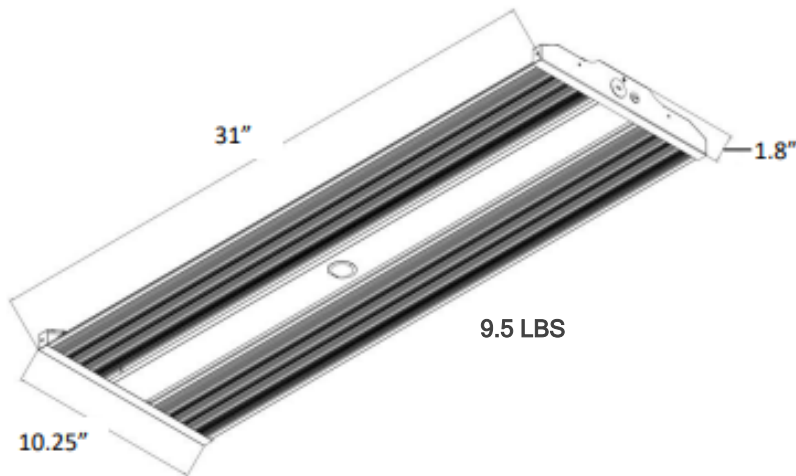
HBLSR-181512L-4K5K



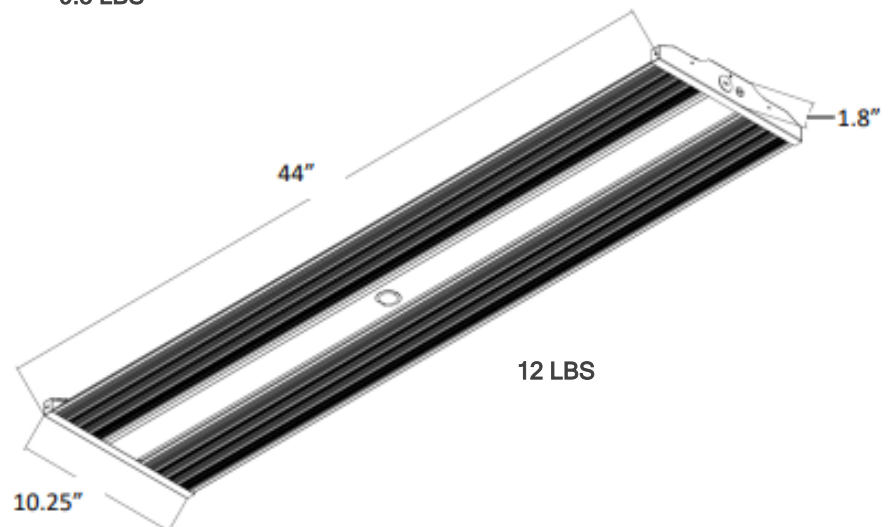
HBLSR-241815L-4K5K



HBLSR-363024L-4K5K



HBLSR-604836L-4K5K



Electrical Data

Series	Measurements	Low Lumens		Mid Lumens		High Lumens	
		4000K	5000K	4000K	5000K	4000K	5000K
HBLSR-181512L-4K5K	Lumens	12,007	12,307	14,555	15,071	18,085	18,421
	Watts	76	77	96	98	120	123
	Efficacy	158	159	152	154	150	150
	Input Current (A)	120V = 0.63A	120V = 0.64A	120V = 0.80A	120V = 0.82A	120V = 1.00A	120V = 1.03A
240V = 0.32A		240V = 0.32A	240V = 0.40A	240V = 0.41A	240V = 0.50A	240V = 0.51A	
277V = 0.27A		277V = 0.28A	277V = 0.35A	277V = 0.35A	277V = 0.43A	277V = 0.44A	

Series	Measurements	Low Lumens		Mid Lumens		High Lumens	
		4000K	5000K	4000K	5000K	4000K	5000K
HBLSR-241815L-4K5K	Lumens	15,021	15,557	18,017	18,477	24,047	24,241
	Watts	94	96	115	117	158	158
	Efficacy	159	162	157	158	152	153
	Input Current (A)	120V = 0.78A	120V = 0.80A	120V = 0.96A	120V = 0.98A	120V = 1.32A	120V = 1.32A
240V = 0.39A		240V = 0.40A	240V = 0.48A	240V = 0.49A	240V = 0.66A	240V = 0.66A	
277V = 0.34A		277V = 0.35A	277V = 0.42A	277V = 0.42A	277V = 0.57A	277V = 0.57A	

Series	Measurements	Low Lumens		Mid Lumens		High Lumens	
		4000K	5000K	4000K	5000K	4000K	5000K
HBLSR-363024L-4K5K	Lumens	24,049	24,854	30,037	30,299	35,517	36,076
	Watts	152	155	193	197	237	242
	Efficacy	158	160	156	154	150	149
	Input Current (A)	120V = 1.27A	120V = 1.29A	120V = 1.61A	120V = 1.64A	120V = 1.98A	120V = 2.02A
240V = 0.63A		240V = 0.65A	240V = 0.80A	240V = 0.82A	240V = 0.99A	240V = 1.01A	
277V = 0.55A		277V = 0.56A	277V = 0.70A	277V = 0.71A	277V = 0.86A	277V = 0.87A	

Electrical Data

Series	Measurements	Low Lumens		Mid Lumens		High Lumens	
		4000K	5000K	4000K	5000K	4000K	5000K
HBLSR-604836L-4K5K	Lumens	37,049	38,465	48,182	49,009	60,104	61,319
	Watts	236	241	312	317	404	412
	Efficacy	157	160	154	155	149	149
	Input Current (A)	120V = 1.97A	120V = 2.01A	120V = 2.60A	120V = 2.64A	120V = 3.37A	120V = 3.43A
240V = 0.98A		240V = 1.00A	240V = 1.30A	240V = 1.32A	240V = 1.68A	240V = 1.72A	
277V = 0.85A		277V = 0.87A	277V = 1.13A	277V = 1.14A	277V = 1.46A	277V = 1.49A	

Photometric Data

**HBLSR-181512L-4K5K**

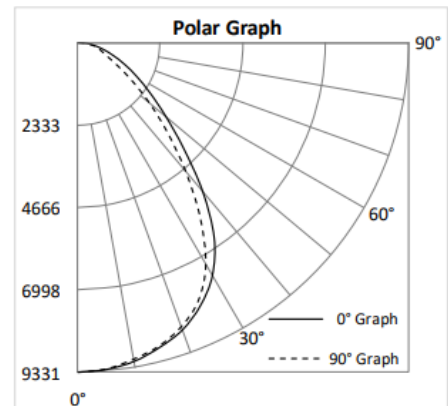
Luminaire Data

Description	Linear High Bay Lumen/Kelvin Selectable
Total Lumens	18,423
Input Wattage	123
Efficacy (lm/W)	150
Spacing Criterion (0-180°)	1.22
Spacing Criterion (90-270°)	1.18

Photometrics calculated at 5000k - high lumens setting

Zonal Lumen Summary

Zone	Lumens	%Fixt
0-20°	3,402	18.5%
0-30°	7,155	38.8%
0-40°	11,161	60.6%
20-50°	10,840	58.8%
40-70°	6,281	34.1%
0-60°	16,247	88.2%
0-80°	18,156	98.6%
0-90°	18,423	100.0%
90-180°	0	0.0%
0-180°	18,423	100.0%



**HBLSR-241815L-4K5K**

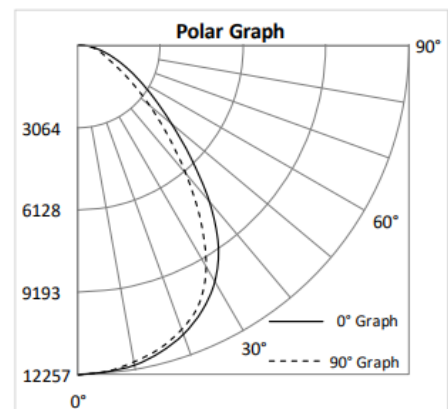
Luminaire Data

Description	Linear High Bay Lumen/Kelvin Selectable
Total Lumens	24,269
Input Wattage	158
Efficacy (lm/W)	153
Spacing Criterion (0-180°)	1.24
Spacing Criterion (90-270°)	1.18

Photometrics calculated at 5000k - high lumens setting

Zonal Lumen Summary

Zone	Lumens	%Fixt
0-20°	4,468	18.4%
0-30°	9,398	38.7%
0-40°	14,661	60.4%
20-50°	14,249	58.7%
40-70°	8,283	34.1%
0-60°	21,353	88.0%
0-80°	23,902	98.5%
0-90°	24,269	100.0%
90-180°	0	0.0%
0-180°	24,269	100.0%



Photometric Data

**HBLSR-363024L-4K5K**

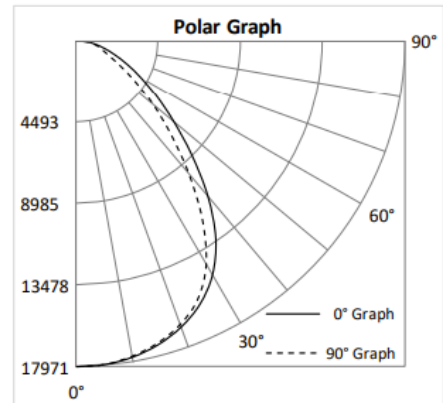
**Luminaire Data**

Description	Linear High Bay Lumen/Kelvin Selectable
Total Lumens	36,087
Input Wattage	242
Efficacy (lm/W)	149
Spacing Criterion (0-180°)	1.24
Spacing Criterion (90-270°)	1.18

Photometrics calculated at  
5000k - high lumens setting

**Zonal Lumen Summary**

Zone	Lumens	%Fixt
0-20°	6,560	18.2%
0-30°	13,802	38.2%
0-40°	21,585	59.8%
20-50°	21,143	58.6%
40-70°	12,526	34.7%
0-60°	31,718	87.9%
0-80°	35,540	98.5%
0-90°	36,087	100.0%
90-180°	0	0.0%
0-180°	36,087	100.0%



**HBLSR-604836L-4K5K**

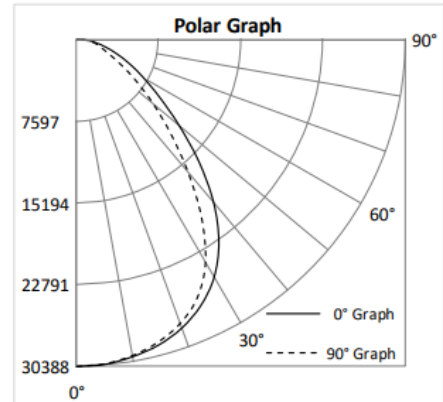
**Luminaire Data**

Description	Linear High Bay Lumen/Kelvin Selectable
Total Lumens	61,323
Input Wattage	412
Efficacy (lm/W)	149
Spacing Criterion (0-180°)	1.24
Spacing Criterion (90-270°)	1.18

Photometrics calculated at  
5000k - high lumens setting

**Zonal Lumen Summary**

Zone	Lumens	%Fixt
0-20°	11,100	18.1%
0-30°	23,335	38.1%
0-40°	36,491	59.5%
20-50°	35,901	58.5%
40-70°	21,535	35.1%
0-60°	53,908	87.9%
0-80°	60,446	98.6%
0-90°	61,323	100.0%
90-180°	0	0.0%
0-180°	61,323	100.0%



Cord and Plugs

- When ordering a cord/cord & plug, use the following suffix choices.
- Example: HBLSR-181512L-4K5K-EM25-10C4  
Note: cord & plugs do not affect the ability to install sensors.

Part number suffix	Description	For use with
6C3	6' cord - 3 conductor (black/white/green)	Standard & UNC
6C4	6' cord - 4 conductor (black/white/green/red)	EM driver
6C5	6' cord - 5 conductor (black/white/green/purple/pink)	Dimming (standard & UNC)
6C6	6' cord - 6 conductor (black/white/green/red/purple/pink)	Dimming & EM driver
10C3	10' cord - 3 conductor (black/white/green)	Standard & UNC
10C4	10' cord - 4 conductor (black/white/green/red)	EM driver
10C5	10' cord - 5 conductor (black/white/green/purple/pink)	Dimming (standard & UNC)
10C6	10' cord - 6 conductor (black/white/green/red/purple/pink)	Dimming & EM driver
15C3	15' cord - 3 conductor (black/white/green)	Standard & UNC
15C4	15' cord - 4 conductor (black/white/green/red)	EM driver
15C5	15' cord - 5 conductor (black/white/green/purple/pink)	Dimming (standard & UNC)
15C6	15' cord - 6 conductor (black/white/green/red/purple/pink)	Dimming & EM driver
6W3	6' whip - 3 conductor (black/white/green)	Standard & UNC
6W4	6' whip - 4 conductor (black/white/green/red)	EM driver
6W5	6' whip - 5 conductor (black/white/green/purple/pink)	Dimming (standard & UNC)
6W6	6' whip - 6 conductor (black/white/green/red/purple/pink)	Dimming & EM driver
6P515	6' cord - 3 conductor (black/white/green) - NEMA 5-15 plug (120V/15A)	Standard luminaire
6P615	6' cord - 3 conductor (black/white/green) - NEMA 6-15 plug (240V/15A)	Standard luminaire
6P715	6' cord - 3 conductor (black/white/green) - NEMA 7-15 plug (277V/15A)	Standard luminaire
6P520	6' cord - 3 conductor (black/white/green) - NEMA 5-20 plug (120V/20A)	Standard luminaire
6P620	6' cord - 3 conductor (black/white/green) - NEMA 6-20 plug (277V/20A)	Standard luminaire
6P515L	6' cord - 3 conductor (black/white/green) - NEMA L5-15 plug (120V/15A locking)	Standard luminaire
6P615L	6' cord - 3 conductor (black/white/green) - NEMA L6-15 plug (240V/15A locking)	Standard luminaire
6P715L	6' cord - 3 conductor (black/white/green) - NEMA L7-15 plug (277V/15A locking)	Standard luminaire
6P520L	6' cord - 3 conductor (black/white/green) - NEMA L5-20 plug (120V/20A locking)	Standard luminaire
6P620L	6' cord - 3 conductor (black/white/green) - NEMA L6-20 plug (240V/20A locking)	Standard luminaire
6P720L	6' cord - 3 conductor (black/white/green) - NEMA L7-20 plug (277V/20A locking)	Standard luminaire
6P2420L	6' cord - 3 conductor (black/white/green) - NEMA L24-20 plug (347V/20A locking)	UNC luminaire
6P820L	6' cord - 3 conductor (black/white/green) - NEMA L8-20 plug (480V/20A locking)	UNC luminaire
10P515	10' cord - 3 conductor (black/white/green) - NEMA 5-15 plug (120V/15A)	Standard luminaire
10P615	10' cord - 3 conductor (black/white/green) - NEMA 6-15 plug (240V/15A)	Standard luminaire
10P715	10' cord - 3 conductor (black/white/green) - NEMA 7-15 plug (277V/15A)	Standard luminaire
10P520	10' cord - 3 conductor (black/white/green) - NEMA 5-20 plug (120V/20A)	Standard luminaire
10P620	10' cord - 3 conductor (black/white/green) - NEMA 6-20 plug (277V/20A)	Standard luminaire
10P515L	10' cord - 3 conductor (black/white/green) - NEMA L5-15 plug (120V/15A locking)	Standard luminaire
10P615L	10' cord - 3 conductor (black/white/green) - NEMA L6-15 plug (240V/15A locking)	Standard luminaire
10P715L	10' cord - 3 conductor (black/white/green) - NEMA L7-15 plug (277V/15A locking)	Standard luminaire
10P520L	10' cord - 3 conductor (black/white/green) - NEMA L5-20 plug (120V/20A locking)	Standard luminaire
10P620L	10' cord - 3 conductor (black/white/green) - NEMA L6-20 plug (240V/20A locking)	Standard luminaire
10P720L	10' cord - 3 conductor (black/white/green) - NEMA L7-20 plug (277V/20A locking)	Standard luminaire
10P2420L	10' cord - 3 conductor (black/white/green) - NEMA L24-20 plug (347V/20A locking)	UNC luminaire
10P820L	10' cord - 3 conductor (black/white/green) - NEMA L8-20 plug (480V/20A locking)	UNC luminaire
15P515	15' cord - 3 conductor (black/white/green) - NEMA 5-15 plug (120V/15A)	Standard luminaire
15P615	15' cord - 3 conductor (black/white/green) - NEMA 6-15 plug (240V/15A)	Standard luminaire
15P715	15' cord - 3 conductor (black/white/green) - NEMA 7-15 plug (277V/15A)	Standard luminaire
15P520	15' cord - 3 conductor (black/white/green) - NEMA 5-20 plug (120V/20A)	Standard luminaire
15P620	15' cord - 3 conductor (black/white/green) - NEMA 6-20 plug (277V/20A)	Standard luminaire
15P515L	15' cord - 3 conductor (black/white/green) - NEMA L5-15 plug (120V/15A locking)	Standard luminaire
15P615L	15' cord - 3 conductor (black/white/green) - NEMA L6-15 plug (240V/15A locking)	Standard luminaire
15P715L	15' cord - 3 conductor (black/white/green) - NEMA L7-15 plug (277V/15A locking)	Standard luminaire
15P520L	15' cord - 3 conductor (black/white/green) - NEMA L5-20 plug (120V/20A locking)	Standard luminaire
15P620L	15' cord - 3 conductor (black/white/green) - NEMA L6-20 plug (240V/20A locking)	Standard luminaire
15P720L	15' cord - 3 conductor (black/white/green) - NEMA L7-20 plug (277V/20A locking)	Standard luminaire
15P2420L	15' cord - 3 conductor (black/white/green) - NEMA L24-20 plug (347V/20A locking)	UNC luminaire
15P820L	15' cord - 3 conductor (black/white/green) - NEMA L8-20 plug (480V/20A locking)	UNC luminaire