

8" Field Selectable Commercial Recessed LED Downlight

Prefix: CLR8



Designed for both new construction and retrofit applications, the CLR Series is field selectable CCT and lumen output. It can be installed directly into drywall, a ceiling grid or an existing 8" CFL mounting frame with its spring loaded retention tabs and a J-box cable connection. Offering a full range of dimming from 0-10 volts, the base fixture is white. The versatility of this light source is perfect for commercial applications, such as educational and governmental facilities, retail and grocery lighting, offices or hospitality.



project:

fixture type:

catalog #:

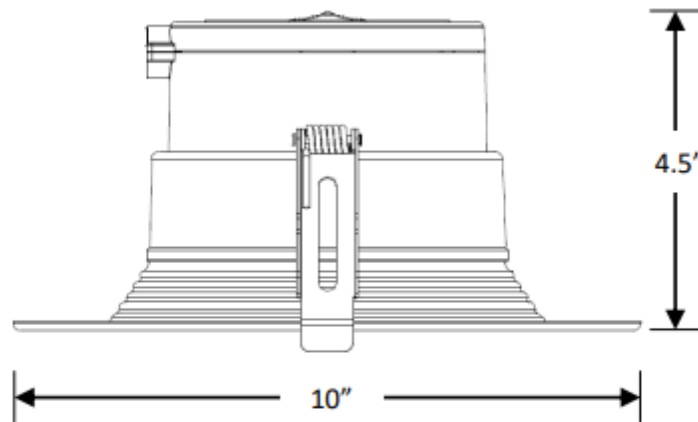
quantity:

ORDERING GUIDE

CLR8	-	LFKS	-	UNV	-	DM	-	9	-	WH	-	
PREFIX/SERIES	LUMEN OUTPUT	DRIVER VOLTAGE	CRI	COLOR TEMP.	CRI	COLOR	FIXTURE OPTIONS					
CLR8 - 8" Commercial Recessed LED Downlight	LFKS - Lumen selectable 3000lm (30W) 4000lm (40W) 5000lm (50W)	UNV - Universal Voltage (120v - 277v) (50-60 Hz)	DM - 0-10v Low Voltage	Blank - CCT Selectable 2700k, 3000k, 3500k, 4000k, 5000k	9 - 90 CRI	WH - White	EXT - Extension Ring for 8" Frame SRB - Philips Wireless Bridge (EasySense) †† SVR - Silvair Wireless Relay ††† EM - Emergency Battery Pack †					

† Standard "EM" option to be NiCd Battery @ 5 watts constant power @ 90 min. duration (standard).
†† Philips wireless bridge provides connectivity with the Philips sensor ready suite (including SNS21x sensor): Energy Monitoring & Advanced Grouping control options.
††† Silvair wireless relay provides connectivity with the Silvair's Bluetooth NLC solutions (including SVP & SVM sensors): Task Tuning, Energy Monitoring & Advanced Grouping control options.

DIMENSIONS



Weight: 1.4 lbs.

CONSTRUCTION

- Aluminum housing
- Certified for direct contact with insulation
Consult factory for all options or any modifications needed.

ELECTRICAL

- Universal input 120-277VAC (50-60Hz)
- Power factor > 0.90
- Driver delivers full-range dimming from 0 - 10VDC
- cETLus listed for wet locations not exceeding 45°C (113°F).
- Complies with FCC Part 15, class B.
- Complies with EN61000-4-5 surge protection (1.5kV).

FINISH

- Matte white baffle or Specular White

INSTALLATION

- Easy installation in new construction or retrofit applications.
- Compatible with 8.10" ceiling cut-outs and 8" mounting frames.
- Type IC. Access above ceiling required. Covered ceiling mount only.
- Suitable for wet locations
- Adjustable, spring loaded retention tabs ensure secure fixture retention.
- For installations where power surge may be possible, NICOR recommends installing additional surge protection at the fixture or electrical distribution panel.

WARRANTY

- 5-Year limited warranty. Please refer to RENOVA's website at www.renova.com/ warranties for the latest warranty terms and conditions.
- Warranty does not cover product failure due to an over-voltage event (power surge)

NOTES:

LED Dimming Drivers have adjustable output capability. A wide range of input watts/lumen output can be adjusted up or down on all models to suit a particular application. Always consult factory for the latest information.

Photometric data, IES files and all other information is available on request.

RENOVA products are constantly being improved; therefore the information shown is subject to change without notice. Always consult your lighting representative or RENOVA Lighting Systems, Inc. for the latest information.