

The LED Flat Panel Series (LFP) recessed luminaire family represents the latest development in back-lit thin panel lighting technology. This type of Solid-State Lighting (SSL) technology is used to create a luminaire that produces light that appears consistent to the human eye across the diffuser panel. Light is transmitted from an LED array through the light emitting diffuser. RENOVA's "LFP" Series luminaires have become increasingly popular in office lighting environments due to its delivery of high quality illumination as assessed by parameters such as lumen output (intensity), CRI (color rendering index) and VCP (Visual Comfort Parameter) / UGR (Unified Glare Rating). Other attributes with this type of luminaire include thin profile and streamlined design. Applications include:

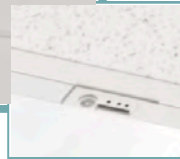
- Commercial/Corporate Office Spaces
- Retail Spaces, Public Spaces and Airports
- Schools, Colleges and Universities
- Hospitals, Government Facilities and Military Bases



options



Optional Wireless Sensor Shown Installed



project:

fixture type:

catalog #:

quantity:

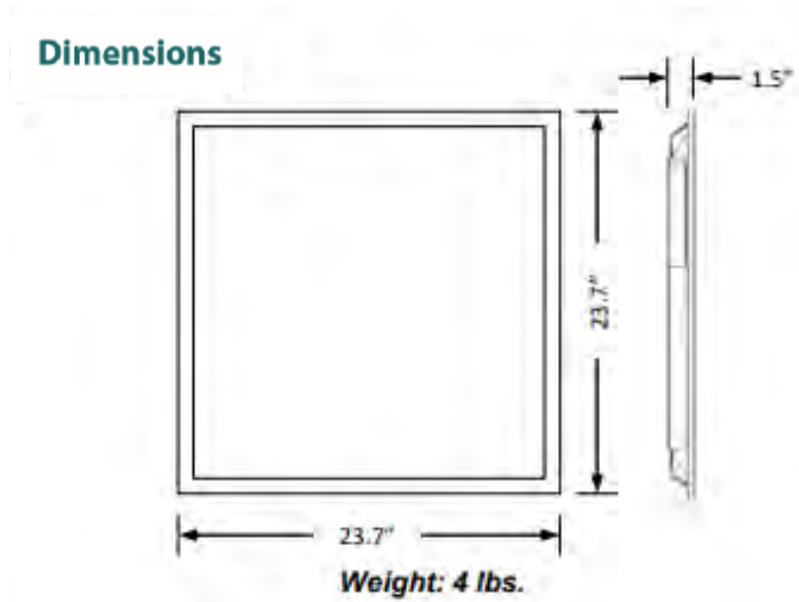
ORDERING GUIDE

LFP	22	N									
PREFIX/SERIES	SIZE	OPTICS (DISTRIBUTION)	LUMEN OUTPUT*	DRIVER VOLTAGE	DRIVER TYPE	COLOR TEMP.	DIFFUSER TYPE	TRIM COLOR AND FINISH	FIXTURE OPTIONS		
LFP LED Flat Panel	22-2x2	N - Normal	L015 - 1500 (12W) L020 - 2000 (15W) L025 - 2500 (20W) L030 - 3000 (24W) L035 - 35000 (28W) L040 - 4000 (34W) LKFS - Field Selectable*	UNV - Universal Voltage (120v - 277v) (50/60 Hz)	DM - 0-10v Low Voltage Dimming (10% - 100%) DM1 - 0-10v Low Voltage* Dimming (1% - 100%) LH1 - Lutron Hi-Lume* Dimming (1% - 100%) LV - Line Voltage* Dimming (120V only) DA1 - Dali-2 and D4i cert * Dimming (1% - 100%) *Special Order Only	C35 - 3500 K C40 - 4000 K C50 - 5000 K Blank - Field Selectable*	F - Frosted Linear PMMA Lens	W - White CS - Custom (Specify)	EMPK - Emergency Battery Pack * SNS21x - Philips Wireless Sensor (EasySense)††† SVP - Silvair PIR Wireless Sensor††† SVM - Silvair Microwave Sensor††† LAR - Lutron Athena Wireless control RF Only††††† LAP - Lutron Athena Wireless PIR Sensor††† LVR - Lutron VIVE Wireless control RF Only††††† LVP - Lutron VIVE Wireless PIR Sensor††† WLI - Wave Linx Integral PIR Sensor††† Axx - Auxiliary output 12 or 24V FMK14 - Flange Mnt Kit RMK14 - Regressed Mnt Kit RARMK14 - Regressed w/ air return Mnt Kit PMK14 - Pendant Mnt Kit SMK14 - Surface Mnt Kit TAA - TAA Compliant † †		
			*LKFS = Field Selectable Delivered Lumens 2500(20w)/3500(28w)/4000lms(34w)			*Blank = Field Selectable CCT 35K/4K/5K					

† Standard "EM" option to be NiCd Battery @ 5 Watts constant power @ 90 min. duration (standard). Consult factory for all available options.
 †† TAA compliant option only available with SNS21x option.
 ††† PIR sensors provide: Occupancy/Vacancy, Daylight Harvesting, Task Tuning & Advanced Grouping control options. (max 12 ft mounting height, highbay options available upon request) †††† Microwave sensor provides: Occupancy/Vacancy, Task Tuning, Energy Monitoring & Advanced Grouping control options. (Sensor not visible from exterior of fixture, max 12 ft mounting height)
 ††††† RF sensors provide: Wireless fixture control only. (Wireless controls must be located within 60 ft (18 m) from each other in the line of sight, or 30 ft (9 m) through walls)

PRIOR TO RETROFITTING THE EXISTING FLUORESCENT FIXTURE, PLEASE NOTE THE FOLLOWING: Fluorescent lamps contain small amounts of mercury. Such lamps are labeled "Contains Mercury" and/or with the symbol "Hg." Lamps that contain mercury must be disposed of in accordance with local requirements. Information regarding lamp recycling and disposal can be found at www.lamprecycle.org.





FEATURES

- Field selectable 3500k (warm/neutral white), 4000k (neutral white), & 5000k (cool white) color temperatures.
- Long-life LEDs provide 144,000 hours of operation with at least 70% of initial lumen output (L70), and 44,000 hours with at least 90% of initial lumen output (L90).
- Selectable lumen outputs range from 3,000 to 4,000 nominal lumens.
- Uniform illumination with no visible LED pixilation.
- Aluminum frame and steel housing backplate.
- PMMA LED lenses for optimal light distribution, efficiency and longevity.

ELECTRICAL

- Universal 120-277 AC voltage (50-60Hz) is standard.
- 0-10vdc dimming drivers are standard.
- Power factor > 90.
- Total harmonic distortion < 20%.
- Color rendering index > 80.

MOUNTING

- Easy installation in new construction or retrofit.
- Standard earthquake clips provide secure installation in grid ceilings.
- Optional emergency drivers (remote mounted) are available.
- Standard mounting options include recessed mounting in grid ceilings, or suspended mounting using attached hanging brackets.
- Additional mounting options in plaster or other hard ceilings, pendant, surface

WARRANTY

- 5-Year limited warranty. Please refer to RENOVA's website at www.renova.com/warranties for the latest warranty terms and conditions.

LISTINGS

- cULus for damp locations and insulated ceilings (Type IC-rated). Suitable for ambient temperatures from -20°C to 40°C (-4°F to 104°F).
- DLC approved.
- Flicker-free per IEEE1789-2015 (no observable adverse effects of flicker at 100% light output level).
- Complies with FCC Part 15, class B.
- Surge immunity protection = 1kV

QUALITY CONTROL

- All luminaires are inspected and 100% light tested prior to packaging and shipping. All products are shipped from RENOVA's manufacturing facility and corporate headquarters located in Warwick, RI (USA).

NOTES:

LED Dimming Drivers have adjustable output capability. A wide range of input watts/lumen output can be adjusted up or down on all models to suit a particular application. Always consult factory for the latest information.

Photometric data, IES files and all other information is available on request.

RENOVA products are constantly being improved; therefore the information shown is subject to change without notice. Always consult your lighting representative or RENOVA Lighting Systems, Inc. for the latest information.



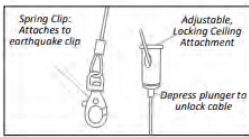
2x2 LED Flat Panels as listed on the DLC Qualified Products List (QPL)

DLC Product ID #	Classification	Technical Req. Version	Catalog Number	Delivered Lumens	Input Watts	Efficacy (LPW)	Color Temp. (CCT)	Color Rendition Index (CRI)
S-WLIN65	Premium	v5.1	LFP22-N-L040-UNV-DM-C35-AF-XX-XX	4072	32.0	127.3	3500 K	80.0
S-WLIN65	Premium	v5.1	LFP22-N-L040-UNV-DM-C40-AF-XX-XX	4290	32.0	134.0	4000 K	80.0
S-WLIN65	Premium	v5.1	LFP22-N-L040-UNV-DM-C50-AF-XX-XX	4179	32.0	130.5	5000 K	80.0

Options

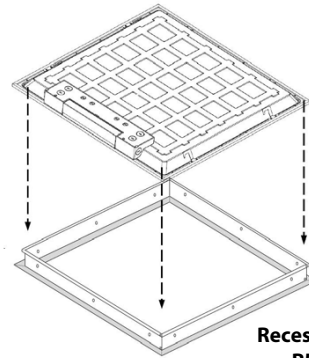
•Optional recessed with air return kit (fixture option RAR) provides recessed installation on plaster or other hard ceilings.

Cable Mounting Kit (PNL-CM)



Cable Mount Kit:

- Spring Clip
- Adjustable, locking ceiling attachment



Recessed Mounting Kit RMK or RARMK

